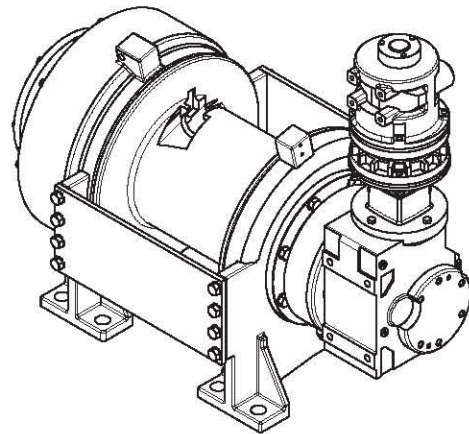
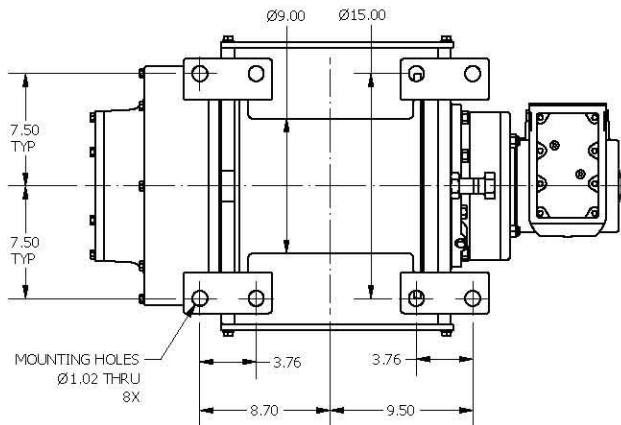
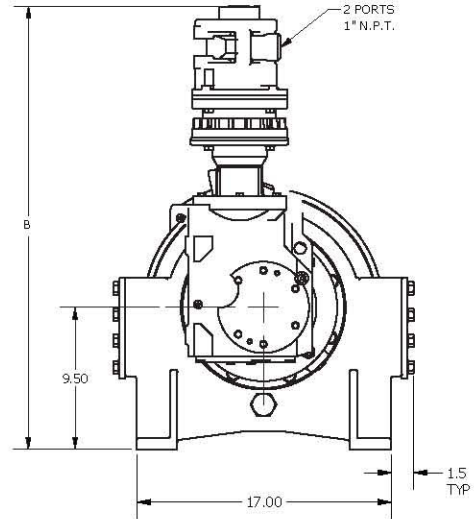
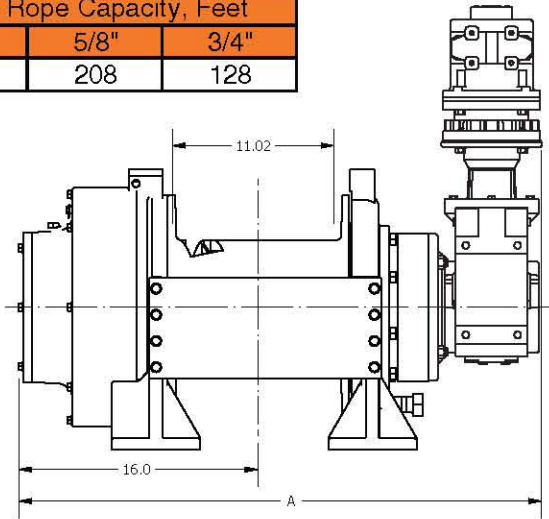


## DIMENSIONAL/PERFORMANCE DATA

Wire Rope Capacity, Feet		
1/2"	5/8"	3/4"
324	208	128



Model	Power Input		Motor HP	Typical Weight (lbs)	Calculated Performance (3/4" wire rope)						Dimensions	
	PSI	CFM			First Layer		Mean Drum		Full Drum		A <sup>1</sup>	B <sup>1</sup>
					LBS	FPM	LBS	FPM	LBS	FPM		
WR20000	80	210	6.25	770	20,000	8.0	17,506	9.1	15,664	10.1	34.9	29.6
WR30000	80	210	6.25	770	30,000	5.0	27,783	5.7	24,860	6.4	34.9	29.6
WR30000	75	280	12.5	800	30,000	9.4	26,489	10.6	23,702	11.9	34.9	32.4
WR40000	80	210	6.25	770	40,000	4.0	35,304	4.5	31,590	5.0	34.9	29.6
WR40000	70	270	12.5	800	40,000	6.4	35,316	7.3	31,601	8.1	34.9	32.4

Gearmotors can be rotated in 90° increments

<sup>1</sup> Typical dimensions shown