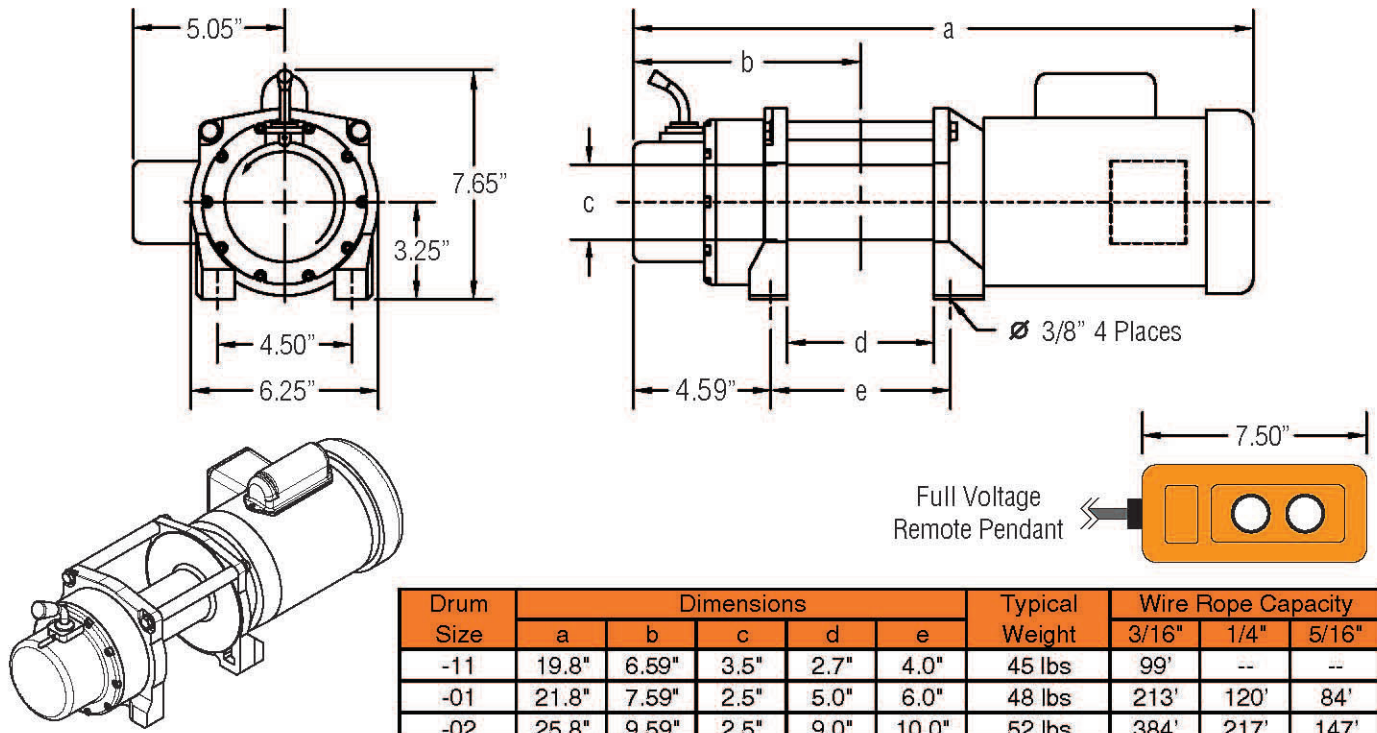


DIMENSIONAL DATA



PERFORMANCE

Model	Motor		Power Input		Gear Ratio	Calculated Performance					
	HP	RPM	Voltage	Ø		First Layer		Mean Drum		Full Drum	
						LBS	FPM	LBS	FPM	LBS	FPM
WD670 ¹	0.5	3450	115/230	1Ø	113:1	670	29.5	567	34.7	493	39.9
WD900 ¹	0.5	3450	115/230	1Ø	156:1	900	21.3	782	25.1	680	28.9
WD1300 ¹	0.5	3450	115/230	1Ø	216:1	1300	15.4	1083	18.1	942	20.9
WD1000 ²	0.5	3450	115/230	1Ø	113:1	1000	22.5	766	31.1	599	39.8
WD1450 ²	0.5	3450	115/230	1Ø	156:1	1450	16.3	1057	22.6	827	28.8
WD2000 ²	0.5	3450	115/230	1Ø	216:1	2000	11.8	1464	16.3	1146	20.8

¹ -11 drum

² -01 and -02 drums

Calculated performance based on intermittent duty cycles.