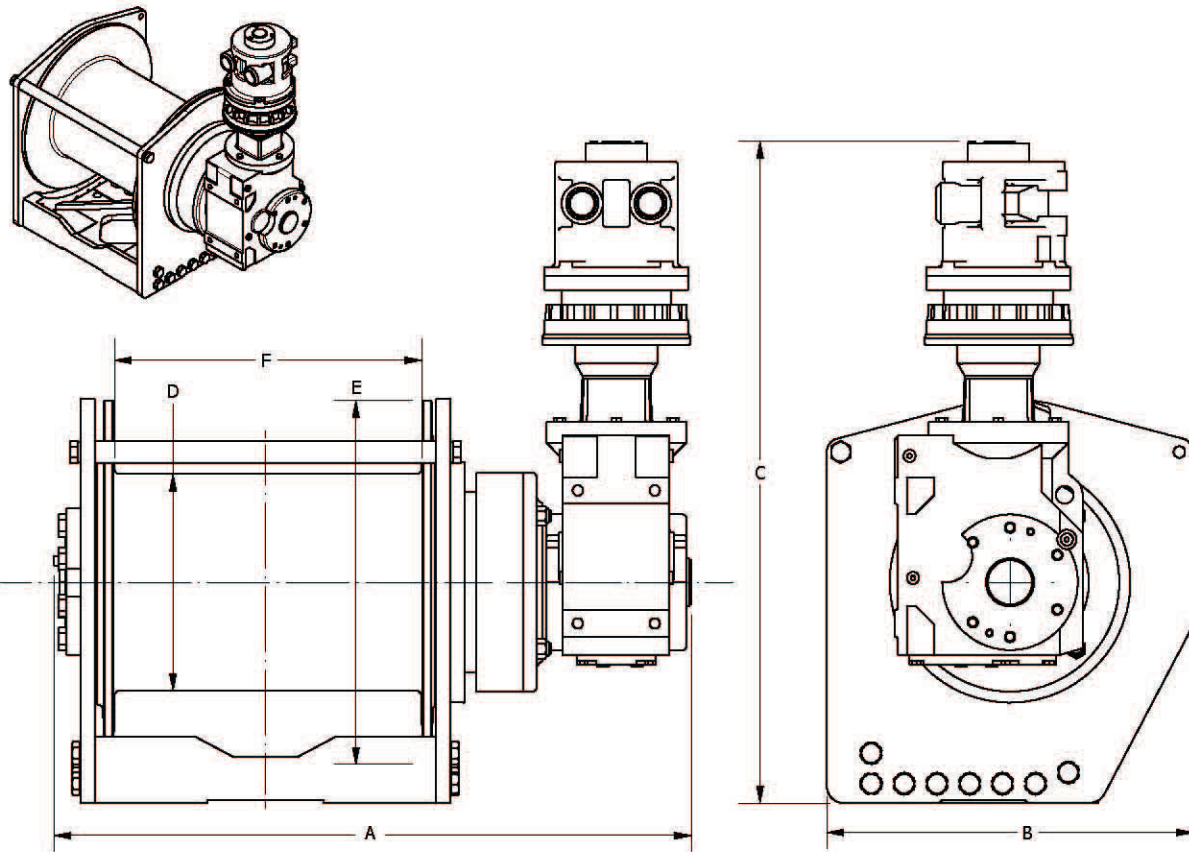


**DIMENSIONAL/PERFORMANCE DATA**



Model	HP	Power Input		Line Pull • Line Speed (Calculated)		
		PSI	CFM	First Layer	Mean Drum	Full Drum
HL6000 <sup>1</sup>	6.25	80	215	6000 lbs • 24 fpm	5000 lbs • 29 fpm	4250 lbs • 34 fpm
HL9000 <sup>1</sup>	6.25	85	225	9000 lbs • 16 fpm	7500 lbs • 19 fpm	6400 lbs • 23 fpm
HL12000 <sup>1</sup>	6.25	80	215	12,000 lbs • 12 fpm	9900 lbs • 14 fpm	8450 lbs • 16 fpm
HL15000 <sup>2</sup>	6.25	85	225	15,000 lbs • 9 fpm	12,625 lbs • 11 fpm	10,870 lbs • 13 fpm

<sup>1</sup> -02 drum performance    <sup>2</sup> -04 and -05 drum performance

Drum Size	Dimensions						Wire Rope Capacity, Feet		
	A	B	C	D	E	F	1/2"	9/16"	5/8"
-02	27.6"	16.5"	29.8"	9.7"	16.4"	13.7"	547	399	368
-04	27.3"	21.8"	32.0"	10.6"	20.0"	13.5"	957	756	589
-05	27.6"	16.5"	29.8"	10.6"	16.5"	13.7"	470	427	300

Typical dimensions shown; gearmotors can be rotated in 90° increments