

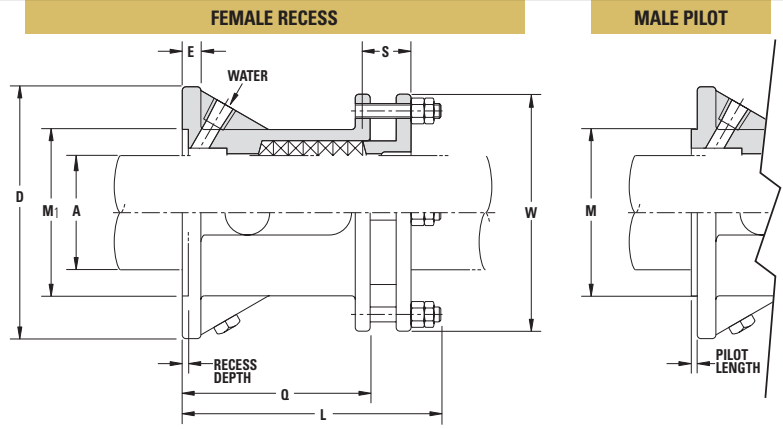
Forward Stern Tube Stuffing Boxes

Model 1789

Water Service. Model 1789G adds optional Grease Service.



MALE PILOT / FEMALE RECESS DIMENSIONS		
For Shaft Diameter Size	Male Pilot	Female Recess
2-1/2" - 5-3/4"	3/16"	3/16"
6" - 15"	3/8"	1/4"

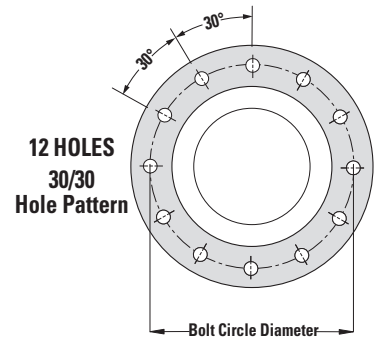
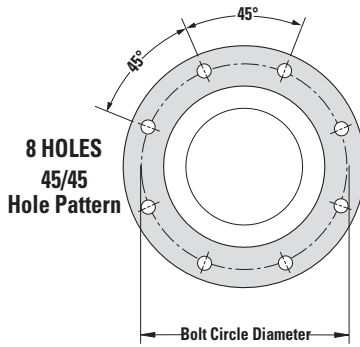
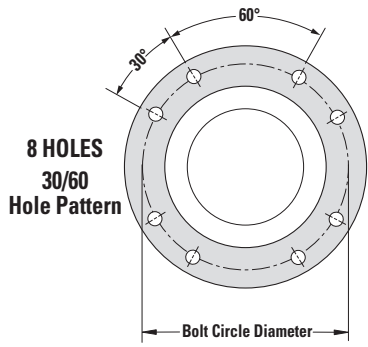


SPECIFY WHEN ORDERING:

Model Number: Alloy: Bronze (standard) or Aluminum **Shaft Diameter:** In Inches or Millimeters **Configurations:** Male Pilot or Female Recess

O.D. Shaft or Sleeve Journal	CODE	Flange Diameter	Flange Thickness	Male Pilot Diameter	Female Recess Diam.	Length	Overall Length	Gland Length	Gland Flange Diameter	Packing O.D.	Packing Size	No. of Rings	No. of Holes	Drill Size	Bolt Circle	Hole Spacing
A		D	E	M	M1	Q	L	S	W	Packing		Drilling Information				
2 -1/2 63.5	0212	6 -1/4 158.75	7/16 11.11	3 -1/2 88.90	4 101.60	5 -7/16 138.11	7 -1/2 190.50	- -	5 -3/4 146.05	3 -1/4 82.55	3/8 9.53	7	8	9/16 14.29	5 127.00	30/60
3 76.20	0300	7 -1/2 190.50	7/16 11.11	4 -1/2 114.30	4 -3/4 120.65	6 -5/16 160.34	8 -1/2 215.90	1 -7/16 36.51	7 177.80	4 101.60	1/2 12.70	7	8	11/16 17.46	6 -1/4 158.75	30/60
3 -1/4 82.55	0314	7 -1/2 190.50	7/16 11.11	- -	4 -3/4 120.65	6 -5/16 160.34	8 -1/2 215.90	1 -7/16 36.51	7 177.80	4 -1/4 107.95	1/2 12.70	7	8	11/16 17.46	6 -1/4 158.75	30/60
3 -1/2 88.90	0312	8 -1/8 206.38	5/8 15.88	4 -1/2 114.30	5 -1/4 133.35	6 -5/16 160.34	8 -11/16 220.66	1 -5/8 41.28	7 -5/8 193.68	4 -1/2 114.30	1/2 12.70	7	8	11/16 17.46	6 -3/4 171.45	30/60
3 -3/4 95.25	0334	8 -1/8 206.38	5/8 15.88	- -	5 -1/4 133.35	6 -5/16 160.34	8 -11/16 220.66	1 -5/8 41.28	7 -5/8 193.68	4 -3/4 120.65	1/2 12.70	7	8	11/16 17.46	6 -3/4 171.45	30/60
4 101.60	0400	8 -5/8 219.08	5/8 15.88	5 -1/2 139.70	5 -3/4 146.05	6 -5/16 160.34	8 -11/16 220.66	1 -5/8 41.28	8 -1/8 206.38	5 127.00	1/2 12.70	7	8	11/16 17.46	7 -1/4 184.15	30/60
4 -1/4 107.95	0414	8 -5/8 219.08	5/8 15.88	5 -1/2 139.70	5 -3/4 146.05	6 -5/16 160.34	8 -11/16 220.66	1 -5/8 41.28	8 -1/8 206.38	5 -1/4 133.35	1/2 12.70	7	8	11/16 17.46	7 -1/4 184.15	30/60
4 -1/2 114.30	0412	9 -3/8 238.13	13/16 20.64	6 -1/8 155.58	6 -1/2 165.10	7 -5/16 185.74	9 -15/16 252.41	1 -7/8 47.63	8 -7/8 225.43	5 -3/4 146.05	5/8 15.88	7	8	11/16 17.46	8 203.20	30/60
4 -3/4 120.65	0434	9 -3/8 238.13	13/16 20.64	6 -1/8 155.58	6 -1/2 165.10	7 -5/16 185.74	9 -15/16 252.41	1 -7/8 47.63	8 -7/8 225.43	6 152.40	5/8 15.88	7	8	11/16 17.46	8 203.20	30/60
5 127.00	0500	10 -1/8 257.18	13/16 20.64	6 -1/2 165.10	7 -1/4 184.15	8 -9/16 217.49	11 -15/16 303.21	2 -3/8 60.33	9 -5/8 244.48	6 -1/2 165.10	3/4 19.05	7	8	11/16 17.46	8 -3/4 222.25	30/60
5 -1/4 133.35	0514	10 -1/8 257.18	13/16 20.64	6 -1/2 165.10	7 -1/4 184.15	8 -9/16 217.49	11 -15/16 303.21	2 -3/8 60.33	9 -5/8 244.48	6 -3/4 171.45	3/4 19.05	7	8	11/16 17.46	8 -3/4 222.25	30/60
5 -1/2 139.70	0512	10 -5/8 269.88	13/16 20.64	7 -1/2 190.50	7 -3/4 196.85	8 -9/16 217.49	11 -15/16 303.21	2 -3/8 60.33	10 -1/8 257.18	7 177.80	3/4 19.05	7	8	11/16 17.46	9 -1/4 234.95	30/60
5 -3/4 146.05	0534	10 -5/8 269.88	13/16 20.64	7 -1/2 190.50	7 -3/4 196.85	8 -9/16 217.49	11 -15/16 303.21	2 -3/8 60.33	10 -1/8 257.18	7 -1/4 184.15	3/4 19.05	7	8	11/16 17.46	9 -1/4 234.95	30/60
6 152.40	0600	11 -3/8 288.93	13/16 20.64	8 203.20	8 203.20	8 -3/4 222.25	12 -3/4 323.85	3 76.20	11 -1/8 282.58	7 -1/2 190.50	3/4 19.05	7	8	11/16 17.46	10 -1/8 257.18	30/60
6 -1/4 158.75	0614	11 -3/8 288.93	13/16 20.64	8 203.20	8 203.20	8 -3/4 222.25	12 -3/4 323.85	3 76.20	11 -1/8 282.58	7 -3/4 196.85	3/4 19.05	7	8	11/16 17.46	10 -1/8 257.18	30/60
6 -1/2 165.10	0612	13 -1/2 342.90	7/8 22.23	8 -1/2 215.90	8 -5/8 219.08	9 -3/4 247.65	13 -3/4 349.25	3 76.20	12 -1/8 307.98	8 -1/4 209.55	7/8 22.23	7	8	13/16 20.64	11 -3/8 288.93	45/45
6 -5/8 168.28	0658	13 -1/2 342.90	7/8 22.23	- -	8 -5/8 219.08	9 -3/4 247.65	13 -3/4 349.25	3 76.20	12 -1/8 307.98	8 -3/8 212.73	7/8 22.23	7	8	13/16 20.64	11 -3/8 288.93	45/45
6 -3/4 171.45	0634	13 -3/4 349.25	7/8 22.23	8 -1/2 215.90	9 228.60	9 -3/4 247.65	13 -3/4 349.25	3 76.20	12 -1/2 317.50	8 -1/2 215.90	7/8 22.23	7	8	13/16 20.64	12 304.80	45/45
6 -7/8 174.63	0678	13 -3/4 349.25	7/8 22.23	- -	9 228.60	9 -3/4 247.65	13 -3/4 349.25	3 76.20	12 -1/2 317.50	8 -5/8 219.08	7/8 22.23	7	8	13/16 20.64	12 304.80	45/45
7 177.80	0700	13 -3/4 349.25	7/8 22.23	9 -1/4 234.95	9 228.60	9 -3/4 247.65	13 -3/4 349.25	3 76.20	12 -1/2 317.50	8 -3/4 222.25	7/8 22.23	7	8	13/16 20.64	12 304.80	45/45
7 -1/8 180.98	0718	14 -1/8 358.78	7/8 22.23	- -	9 -5/8 244.48	11 -1/8 282.58	15 -5/8 396.88	3 -1/2 88.90	12 -7/8 327.03	9 -1/8 231.78	1 25.40	7	8	13/16 20.64	12 -3/8 314.33	45/45

DRILL HOLE PATTERNS

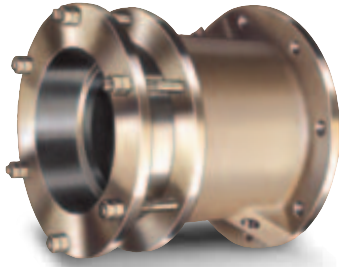


O.D. Shaft or Sleeve Journal	CODE	Flange Diameter	Flange Thickness	Male Pilot Diameter	Female Recess Diam.	Length	Overall Length	Gland Length	Gland Flange Diameter	Packing O.D.	Packing Size	No. of Rings	No. of Holes	Drill Size	Bolt Circle	Hole Spacing
A	D	E	M	M1	Q	L	S	W	Packing			Drilling Information				
7 -1/4 184.15	0714	14 -1/8 358.78	7/8 22.23	9 -1/4 234.95	9 -5/8 244.48	11 -1/8 282.58	15 -5/8 396.88	3 -1/2 88.90	12 -7/8 327.03	9 -1/4 234.95	1 25.40	7	8	13/16 20.64	12 -3/8 314.33	45/45
7 -3/8 187.33	0738	14 -1/8 358.78	7/8 22.23	-	9 -5/8 244.48	11 -1/8 282.58	15 -5/8 396.88	3 -1/2 88.90	12 -7/8 327.03	9 -3/8 238.13	1 25.40	7	8	13/16 20.64	12 -3/8 314.33	45/45
7 -1/2 190.50	0712	14 -1/2 368.30	7/8 22.23	10 -1/4 260.35	10 254.00	11 -1/8 282.58	15 -5/8 396.88	3 -1/2 88.90	13 -1/4 336.55	9 -1/2 241.30	1 25.40	7	8	13/16 20.64	12 -3/4 323.85	45/45
7 -5/8 193.68	0758	14 -1/2 368.30	7/8 22.23	-	10 254.00	11 -1/8 282.58	15 -5/8 396.88	3 -1/2 88.90	13 -1/4 336.55	9 -5/8 244.48	1 25.40	7	8	13/16 20.64	12 -3/4 323.85	45/45
7 -3/4 196.85	0734	14 -1/2 368.30	7/8 22.23	10 -1/4 260.35	10 254.00	11 -1/8 282.58	15 -5/8 396.88	3 -1/2 88.90	13 -1/4 336.55	9 -3/4 247.65	1 25.40	7	8	13/16 20.64	12 -3/4 323.85	45/45
7 -7/8 200.03	0778	14 -7/8 377.83	7/8 22.23	-	10 -3/8 263.53	11 -1/8 282.58	15 -5/8 396.88	3 -1/2 88.90	13 -5/8 346.08	9 -7/8 250.83	1 25.40	7	8	13/16 20.64	13 -1/8 333.38	45/45
8 203.20	0800	14 -7/8 377.83	7/8 22.23	10 -1/4 260.35	10 -3/8 263.53	11 -1/8 282.58	15 -5/8 396.88	3 -1/2 88.90	13 -5/8 346.08	10 254.00	1 25.40	7	8	13/16 20.64	13 -1/8 333.38	45/45
8 -1/8 206.38	0818	14 -7/8 377.83	7/8 22.23	-	10 -3/8 263.53	11 -1/8 282.58	15 -5/8 396.88	3 -1/2 88.90	13 -5/8 346.08	10 -1/8 257.18	1 25.40	7	8	13/16 20.64	13 -1/8 333.38	45/45
8 -1/4 209.55	0814	15 -1/4 387.35	7/8 22.23	11 279.40	10 -3/4 273.05	11 -1/8 282.58	15 -5/8 396.88	3 -1/2 88.90	14 355.60	10 -1/4 260.35	1 25.40	7	8	13/16 20.64	13 -1/2 342.90	45/45
8 -3/8 212.73	0838	15 -1/4 387.35	7/8 22.23	-	10 -3/4 273.05	11 -1/8 282.58	15 -5/8 396.88	3 -1/2 88.90	14 355.60	10 -3/8 263.53	1 25.40	7	8	13/16 20.64	13 -1/2 342.90	45/45
8 -1/2 215.90	0812	15 -1/4 387.35	7/8 22.23	11 279.40	10 -3/4 273.05	11 -1/8 282.58	15 -5/8 396.88	3 -1/2 88.90	14 355.60	10 -1/2 266.70	1 25.40	7	8	13/16 20.64	13 -1/2 342.90	45/45
8 -5/8 219.08	0858	15 -5/8 396.88	1 25.40	-	11 -1/8 282.58	11 -1/8 282.58	15 -5/8 396.88	3 -1/2 88.90	14 -3/8 365.13	10 -5/8 269.88	1 25.40	7	8	13/16 20.64	13 -7/8 352.43	45/45
8 -3/4 222.25	0834	15 -5/8 396.88	1 25.40	11 279.40	11 -1/8 282.58	11 -1/8 282.58	15 -5/8 396.88	3 -1/2 88.90	14 -3/8 365.13	10 -3/4 273.05	1 25.40	7	8	13/16 20.64	13 -7/8 352.43	45/45
8 -7/8 225.43	0878	15 -5/8 396.88	1 25.40	-	11 -1/8 282.58	11 -1/8 282.58	15 -5/8 396.88	3 -1/2 88.90	14 -3/8 365.13	10 -7/8 276.23	1 25.40	7	8	13/16 20.64	13 -7/8 352.43	45/45
9 228.60	0900	16 406.40	1 25.40	11 -3/4 298.45	11 -1/2 292.10	11 -1/8 282.58	15 -5/8 396.88	3 -1/2 88.90	14 -3/4 374.65	11 279.40	1 25.40	7	8	13/16 20.64	14 -1/4 361.95	45/45
9 -1/8 231.78	0918	16 406.40	1 25.40	-	11 -1/2 292.10	11 -1/8 282.58	15 -5/8 396.88	3 -1/2 88.90	14 -3/4 374.65	11 -1/8 282.58	1 25.40	7	8	13/16 20.64	14 -1/4 361.95	45/45
9 -1/4 234.95	0914	16 406.40	1 25.40	11 -3/4 298.45	11 -1/2 292.10	11 -1/8 282.58	15 -5/8 396.88	3 -1/2 88.90	14 -3/4 374.65	11 -1/4 285.75	1 25.40	7	8	13/16 20.64	14 -1/4 361.95	45/45
9 -3/8 238.13	0938	16 -3/8 415.93	1 25.40	-	11 -7/8 301.63	11 -1/8 282.58	15 -5/8 396.88	3 -1/2 88.90	15 -1/8 384.18	11 -3/8 288.93	1 25.40	7	8	13/16 20.64	14 -5/8 371.48	45/45
9 -1/2 241.30	0912	16 -3/8 415.93	1 25.40	11 -3/4 298.45	11 -7/8 301.63	11 -1/8 282.58	15 -5/8 396.88	3 -1/2 88.90	15 -1/8 384.18	11 -1/2 292.10	1 25.40	7	8	13/16 20.64	14 -5/8 371.48	45/45
9 -5/8 244.48	0958	16 -3/8 415.93	1 25.40	-	11 -7/8 301.63	11 -1/8 282.58	15 -5/8 396.88	3 -1/2 88.90	15 -1/8 384.18	11 -5/8 295.28	1 25.40	7	8	13/16 20.64	14 -5/8 371.48	45/45
9 -3/4 247.65	0934	16 -7/8 428.63	1 25.40	12 -3/4 323.85	12 -3/8 314.33	11 -1/8 282.58	15 -5/8 396.88	3 -1/2 88.90	15 -1/2 393.70	11 -3/4 298.45	1 25.40	7	8	13/16 20.64	15 381.00	45/45

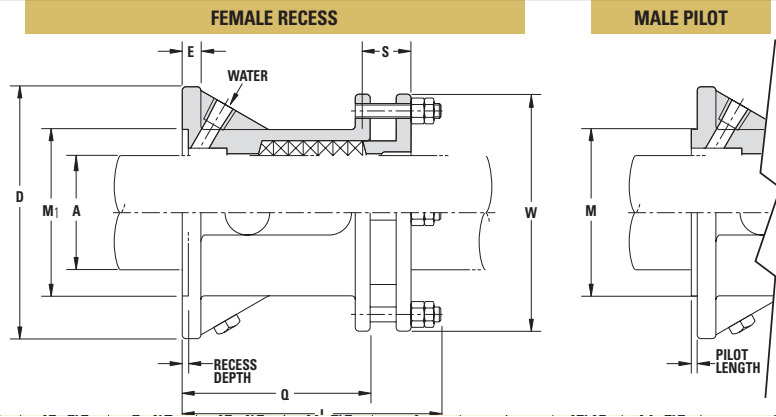
Forward Stern Tube Stuffing Boxes

Model 1789 (continued)

Water Service. Model 1789G adds optional Grease Service.



MALE PILOT / FEMALE RECESS DIMENSIONS		
For Shaft Diameter Size	Male Pilot	Female Recess
2-1/2" - 5-3/4"	3/16"	3/16"
6" - 15"	3/8"	1/4"

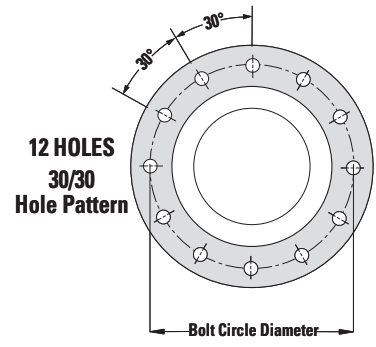
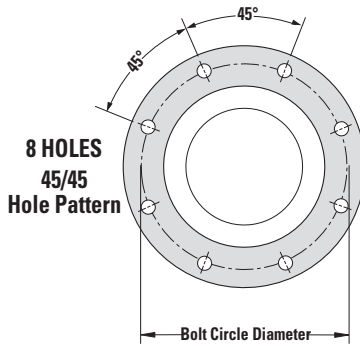
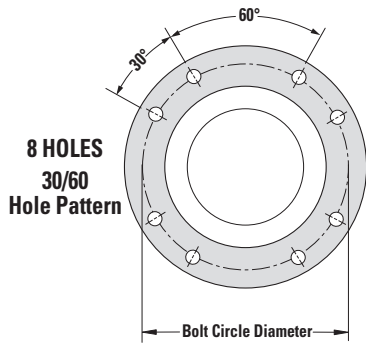


SPECIFY WHEN ORDERING:

Model Number: Alloy: Bronze (standard) or Aluminum **Shaft Diameter:** In Inches or Millimeters **Configurations:** Male Pilot or Female Recess

O.D. Shaft or Sleeve Journal	CODE	Flange Diameter	Flange Thickness	Male Pilot Diameter	Female Recess Diam.	Length	Overall Length	Gland Length	Gland Flange Diameter	Packing O.D.	Packing Size	No. of Rings	No. of Holes	Drill Size	Bolt Circle	Hole Spacing
A		D	E	M	M1	Q	L	S	W	Packing		Drilling Information				
9 -7/8 250.83	0978	16 -7/8 428.63	1 25.40	-	12 -3/8 314.33	11 -1/8 282.58	15 -5/8 396.88	3 -1/2 88.90	15 -1/2 393.70	11 -7/8 301.63	1 25.40	7	8	13/16 20.64	15 381.00	45/45
10 254.00	1000	16 -7/8 428.63	1 25.40	12 -3/4 323.85	12 -3/8 314.33	11 -1/8 282.58	15 -5/8 396.88	3 -1/2 88.90	15 -1/2 393.70	12 304.80	1 25.40	7	8	13/16 20.64	15 381.00	45/45
10 -1/8 257.18	1018	17 -7/8 454.03	1 25.40	-	12 -3/4 323.85	11 -1/8 282.58	16 -1/4 412.75	3 -1/2 88.90	16 406.40	12 -1/8 307.98	1 25.40	7	8	15/16 23.81	15 -3/4 400.05	45/45
10 -1/4 260.35	1014	17 -7/8 454.03	1 25.40	12 -3/4 323.85	12 -3/4 323.85	11 -3/4 298.45	16 -1/4 412.75	3 -1/2 88.90	16 406.40	12 -1/4 311.15	1 25.40	7	8	15/16 23.81	15 -3/4 400.05	45/45
10 -3/8 263.53	1038	17 -7/8 454.03	1 25.40	-	12 -3/4 323.85	11 -3/4 298.45	16 -1/4 412.75	3 -1/2 88.90	16 406.40	12 -3/8 314.33	1 25.40	7	8	15/16 23.81	15 -3/4 400.05	45/45
10 -1/2 266.70	1012	18 -1/4 463.55	1 25.40	13 -3/4 349.25	13 -1/8 333.38	11 -3/4 298.45	16 -1/4 412.75	3 -1/2 88.90	16 -3/8 415.93	12 -1/2 317.50	1 25.40	7	8	15/16 23.81	16 -1/8 409.58	45/45
10 -5/8 269.88	1058	18 -1/4 463.55	1 25.40	-	13 -1/8 333.38	11 -3/4 298.45	16 -1/4 412.75	3 -1/2 88.90	16 -3/8 415.93	12 -5/8 320.68	1 25.40	7	8	15/16 23.81	16 -1/8 409.58	45/45
10 -3/4 273.05	1034	18 -1/4 463.55	1 25.40	13 -3/4 349.25	13 -1/8 333.38	11 -3/4 298.45	16 -1/4 412.75	3 -1/2 88.90	16 -3/8 415.93	12 -3/4 323.85	1 25.40	7	8	15/16 23.81	16 -1/8 409.58	45/45
10 -7/8 276.23	1078	18 -5/8 473.08	1 25.40	-	13 -1/2 342.90	11 -3/4 298.45	16 -1/4 412.75	3 -1/2 88.90	16 -3/4 425.45	12 -7/8 327.03	1 25.40	7	8	15/16 23.81	16 -1/2 419.10	45/45
11 279.40	1100	18 -5/8 473.08	1 25.40	13 -3/4 349.25	13 -1/2 342.90	11 -3/4 298.45	16 -1/4 412.75	3 -1/2 88.90	16 -3/4 425.45	13 330.20	1 25.40	7	8	15/16 23.81	16 -1/2 419.10	45/45
11 -1/8 282.58	1118	18 -5/8 473.08	1 25.40	-	13 -1/2 342.90	11 -3/4 298.45	16 -1/4 412.75	3 -1/2 88.90	16 -3/4 425.45	13 -1/8 333.38	1 25.40	7	8	15/16 23.81	16 -1/2 419.10	45/45
11 -1/4 285.75	1114	19 482.60	1 25.40	14 -1/2 368.30	13 -7/8 352.43	11 -3/4 298.45	16 -1/4 412.75	3 -1/2 88.90	17 -1/8 434.98	13 -1/4 336.55	1 25.40	7	8	15/16 23.81	16 -7/8 428.63	45/45
11 -3/8 288.93	1138	19 482.60	1 25.40	-	13 -7/8 352.43	11 -3/4 298.45	16 -1/4 412.75	3 -1/2 88.90	17 -1/8 434.98	13 -3/8 339.73	1 25.40	7	8	15/16 23.81	16 -7/8 428.63	45/45
11 -1/2 292.10	1112	19 482.60	1 25.40	14 -1/2 368.30	13 -7/8 352.43	11 -3/4 298.45	16 -1/4 412.75	3 -1/2 88.90	17 -1/8 434.98	13 -1/2 342.90	1 25.40	7	8	15/16 23.81	16 -7/8 428.63	45/45
11 -5/8 295.28	1158	19 -3/8 492.13	1 25.40	-	14 -1/8 358.78	11 -3/4 298.45	16 -1/4 412.75	3 -1/2 88.90	17 -1/2 444.50	13 -5/8 346.08	1 25.40	7	12	15/16 23.81	17 -1/4 438.15	30/30
11 -3/4 298.45	1134	19 -3/8 492.13	1 25.40	14 -1/2 368.30	14 -1/8 358.78	11 -3/4 298.45	16 -1/4 412.75	3 -1/2 88.90	17 -1/2 444.50	13 -3/4 349.25	1 25.40	7	12	15/16 23.81	17 -1/4 438.15	30/30
11 -7/8 301.63	1178	19 -3/8 492.13	1 25.40	-	14 -1/8 358.78	11 -3/4 298.45	16 -1/4 412.75	3 -1/2 88.90	17 -1/2 444.50	13 -7/8 352.43	1 25.40	7	12	15/16 23.81	17 -1/4 438.15	30/30
12 304.80	1200	19 -3/4 501.65	1 25.40	15 -1/2 393.70	14 -1/2 368.30	11 -5/8 295.28	16 -3/8 415.93	3 -3/4 95.25	17 -7/8 454.03	14 355.60	1 25.40	7	12	15/16 23.81	17 -5/8 447.68	30/30
12 -1/8 307.98	1218	19 -3/4 501.65	1 25.40	-	14 -1/2 368.30	11 -5/8 295.28	16 -3/8 415.93	3 -3/4 95.25	17 -7/8 454.03	14 -1/8 358.78	1 25.40	7	12	15/16 23.81	17 -5/8 447.68	30/30
12 -1/4 311.15	1214	19 -3/4 501.65	1 25.40	15 -1/2 393.70	14 -1/2 368.30	11 -5/8 295.28	16 -3/8 415.93	3 -3/4 95.25	17 -7/8 454.03	14 -1/4 361.95	1 25.40	7	12	15/16 23.81	17 -5/8 447.68	30/30
12 -3/8 314.33	1238	20 -1/8 511.18	1 -1/8 28.58	-	15 -1/8 384.18	11 -5/8 295.28	16 -3/8 415.93	3 -3/4 95.25	18 -1/4 463.55	14 -3/8 365.13	1 25.40	7	12	15/16 23.81	18 457.20	30/30

DRILL HOLE PATTERNS



O.D. Shaft or Sleeve Journal	CODE	Flange Diameter	Flange Thickness	Male Pilot Diameter	Female Recess Diam.	Length	Overall Length	Gland Length	Gland Flange Diameter	Packing O.D.	Packing Size	No. of Rings	No. of Holes	Drill Size	Bolt Circle	Hole Spacing
A	D	E	M	M1	Q	L	S	W	Packing			Drilling Information				
12 -1/2 317.50	1212	20 -1/8 511.18	1 -1/8 28.58	15 -1/2 393.70	15 -1/8 384.18	11 -5/8 295.28	16 -3/8 415.93	3 -3/4 95.25	18 -1/4 463.55	14 -1/2 368.30	1 25.40	7	12	15/16 23.81	18 457.20	30/30
12 -5/8 320.68	1258	20 -1/8 511.18	1 -1/8 28.58	-	15 -1/8 384.18	11 -5/8 295.28	16 -3/8 415.93	3 -3/4 95.25	18 -1/4 463.55	14 -5/8 371.48	1 25.40	7	12	15/16 23.81	18 457.20	30/30
12 -3/4 323.85	1234	20 -1/2 520.70	1 -1/8 28.58	16 -1/4 412.75	15 -1/2 393.70	11 -5/8 295.28	16 -3/8 415.93	3 -3/4 95.25	18 -5/8 473.08	14 -3/4 374.65	1 25.40	7	12	15/16 23.81	18 -3/8 466.73	30/30
12 -7/8 327.03	1278	20 -1/2 520.70	1 -1/8 28.58	-	15 -1/2 393.70	11 -5/8 295.28	16 -3/8 415.93	3 -3/4 95.25	18 -5/8 473.08	14 -7/8 377.83	1 25.40	7	12	15/16 23.81	18 -3/8 466.73	30/30
13 330.20	1300	20 -1/2 520.70	1 -1/8 28.58	16 -1/4 412.75	15 -1/2 393.70	11 -5/8 295.28	16 -3/8 415.93	3 -3/4 95.25	18 -5/8 473.08	15 381.00	1 25.40	7	12	15/16 23.81	18 -3/8 466.73	30/30
13 -1/8 333.38	1318	21 533.40	1 -1/8 28.58	-	15 -3/4 400.05	11 -5/8 295.28	16 -3/8 415.93	3 -3/4 95.25	19 -1/8 485.78	15 -1/8 384.18	1 25.40	7	12	15/16 23.81	18 -7/8 479.43	30/30
13 -1/4 336.55	1314	21 533.40	1 -1/8 28.58	16 -1/4 412.75	15 -3/4 400.05	11 -5/8 295.28	16 -3/8 415.93	3 -3/4 95.25	19 -1/8 485.78	15 -1/4 387.35	1 25.40	7	12	15/16 23.81	18 -7/8 479.43	30/30
13 -3/8 339.73	1338	21 533.40	1 -1/8 28.58	-	15 -3/4 400.05	11 -5/8 295.28	16 -3/8 415.93	3 -3/4 95.25	19 -1/8 485.78	15 -3/8 390.53	1 25.40	7	12	15/16 23.81	18 -7/8 479.43	30/30
13 -1/2 342.90	1312	21 -3/8 542.93	1 -1/8 28.58	17 -1/4 438.15	16 -1/4 412.75	11 -5/8 295.28	16 -3/8 415.93	3 -3/4 95.25	19 -1/2 495.30	15 -1/2 393.70	1 25.40	7	12	15/16 23.81	19 -1/4 488.95	30/30
13 -5/8 346.08	1358	21 -3/8 542.93	1 -1/8 28.58	-	16 -1/4 412.75	11 -5/8 295.28	16 -3/8 415.93	3 -3/4 95.25	19 -1/2 495.30	15 -5/8 396.88	1 25.40	7	12	15/16 23.81	19 -1/4 488.95	30/30
13 -3/4 349.25	1334	21 -3/8 542.93	1 -1/8 28.58	17 -1/4 438.15	16 -1/4 412.75	11 -5/8 295.28	16 -3/8 415.93	3 -3/4 95.25	19 -1/2 495.30	15 -3/4 400.05	1 25.40	7	12	15/16 23.81	19 -1/4 488.95	30/30
13 -7/8 352.43	1378	21 -3/4 552.45	1 -1/8 28.58	-	16 -5/8 422.28	11 -5/8 295.28	16 -3/8 415.93	3 -3/4 95.25	19 -7/8 504.83	15 -7/8 403.23	1 25.40	7	12	15/16 23.81	19 -5/8 498.48	30/30
14 355.60	1400	21 -3/4 552.45	1 -1/8 28.58	17 -1/4 438.15	16 -5/8 422.28	11 -5/8 295.28	16 -3/8 415.93	3 -3/4 95.25	19 -7/8 504.83	16 406.40	1 25.40	7	12	15/16 23.81	19 -5/8 498.48	30/30
14 -1/8 358.78	1418	21 -3/4 552.45	1 -1/8 28.58	-	16 -5/8 422.28	11 -5/8 295.28	16 -3/8 415.93	3 -3/4 95.25	19 -7/8 504.83	16 -1/8 409.58	1 25.40	7	12	15/16 23.81	19 -5/8 498.48	30/30
14 -1/4 361.95	1414	22 -1/8 561.98	1 -1/8 28.58	18 -1/4 463.55	17 -1/4 438.15	11 -7/8 301.63	16 -5/8 422.28	3 -3/4 95.25	20 -1/4 514.35	16 -1/4 412.75	1 25.40	7	12	15/16 23.81	20 508.00	30/30
14 -3/8 365.13	1438	22 -1/8 561.98	1 -1/8 28.58	-	17 -1/4 438.15	11 -7/8 301.63	16 -5/8 422.28	3 -3/4 95.25	20 -1/4 514.35	16 -3/8 415.93	1 25.40	7	12	15/16 23.81	20 508.00	30/30
14 -1/2 368.30	1412	22 -1/8 561.98	1 -1/8 28.58	18 -1/4 463.55	17 -1/4 438.15	11 -7/8 301.63	16 -5/8 422.28	3 -3/4 95.25	20 -1/4 514.35	16 -1/2 419.10	1 25.40	7	12	15/16 23.81	20 508.00	30/30
14 -5/8 371.48	1458	22 -1/2 571.50	1 -1/8 28.58	-	17 -1/2 444.50	11 -7/8 301.63	16 -5/8 422.28	3 -3/4 95.25	20 -5/8 523.88	16 -5/8 422.28	1 25.40	7	12	15/16 23.81	20 -3/8 517.53	30/30
14 -3/4 374.65	1434	22 -1/2 571.50	1 -1/8 28.58	18 -1/4 463.55	17 -1/2 444.50	11 -7/8 301.63	16 -5/8 422.28	3 -3/4 95.25	20 -5/8 523.88	16 -3/4 425.45	1 25.40	7	12	15/16 23.81	20 -3/8 517.53	30/30
14 -7/8 377.83	1478	22 -3/4 577.85	1 -1/8 28.58	-	17 -3/4 450.85	11 -7/8 301.63	16 -5/8 422.28	3 -3/4 95.25	20 -7/8 530.23	16 -7/8 428.63	1 25.40	7	12	15/16 23.81	20 -5/8 523.88	30/30
15 381.00	1500	22 -3/4 577.85	1 -1/8 28.58	19 482.60	17 -3/4 450.85	11 -7/8 301.63	16 -5/8 422.28	3 -3/4 95.25	20 -7/8 530.23	17 431.80	1 25.40	7	12	15/16 23.81	20 -5/8 523.88	30/30