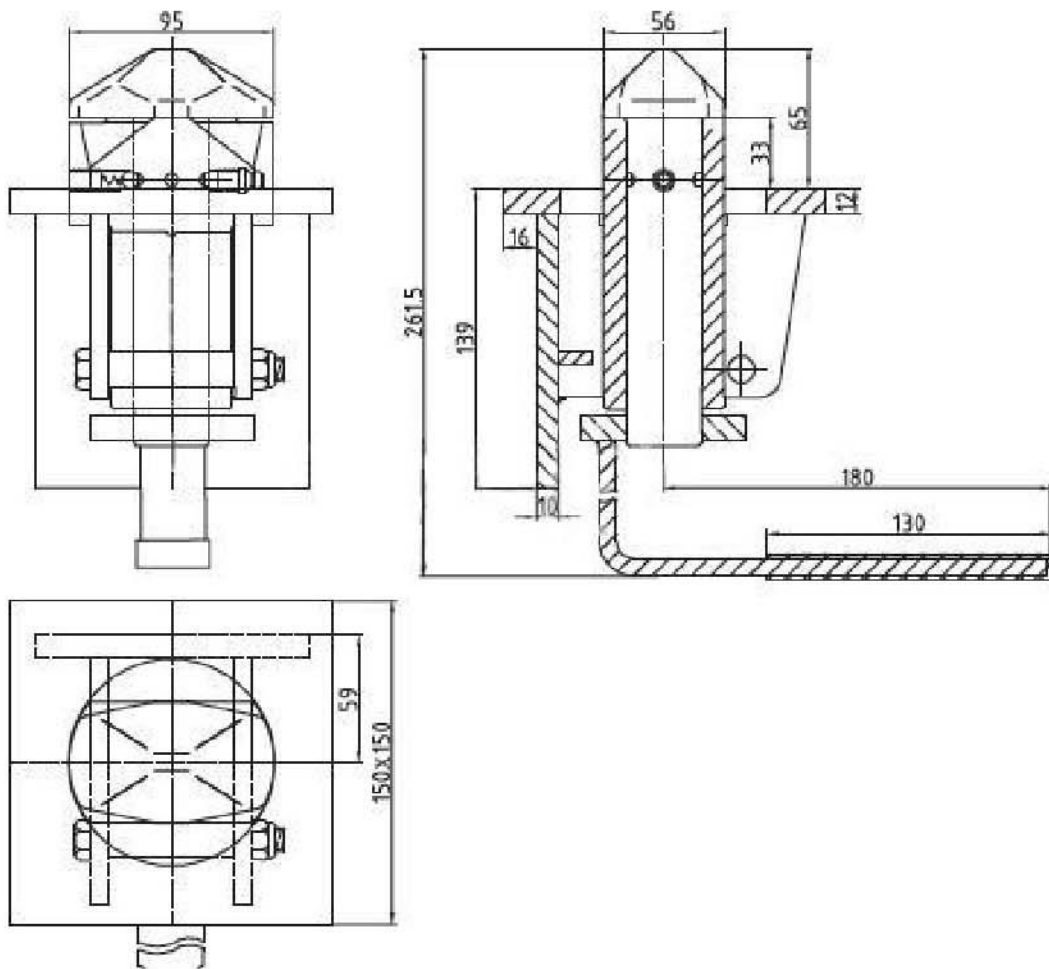


# Trailer Twistlock

TYPE:BT-C1



Material: Forged steel

Finish: Paint

Weight: 7.4KG

M.B.L:Tension: 360KN

M.B.L:Shear: -

M.B.L:Compression: -