



PACIFIC MARINE & INDUSTRIAL

Manufacturing & Global Distribution: Marine, Industrial & Defense

CLAM CHAIR



CUT SHEET

Wall Mounted
Space-Saving Solution

20" Wide x 22-1/4" Tall
Depth: 6" Folded Up or 17" Folded Down

FEATURES

- Upholstered Backrest
- Tension Spring Supported Folding Mechanism
- Upholstered and Foldable Seat Pan
- Underside of Seat Pan with Black Plastic Cover
 - Surface: Metal Parts Phosphated and Powder-Coated, Standard Black
 - Connecting Pieces to be Galvanized
- Upholstery-Material: Grey Fabric

Shipping Weight: 19.5 lbs.
Seat Weight Capacity: 130 KG or 290 lbs.

In stock with grey fabric and black frame as shown.
Custom made if desired.

Made to Order Options:

- Upholstered Headrest
- Seatbelt with Retractor
- Special Upholstery Material



Quality Pacific Manufacturing, Inc., P.O. Box 70520 Richmond, CA USA 94807



510-233-2310



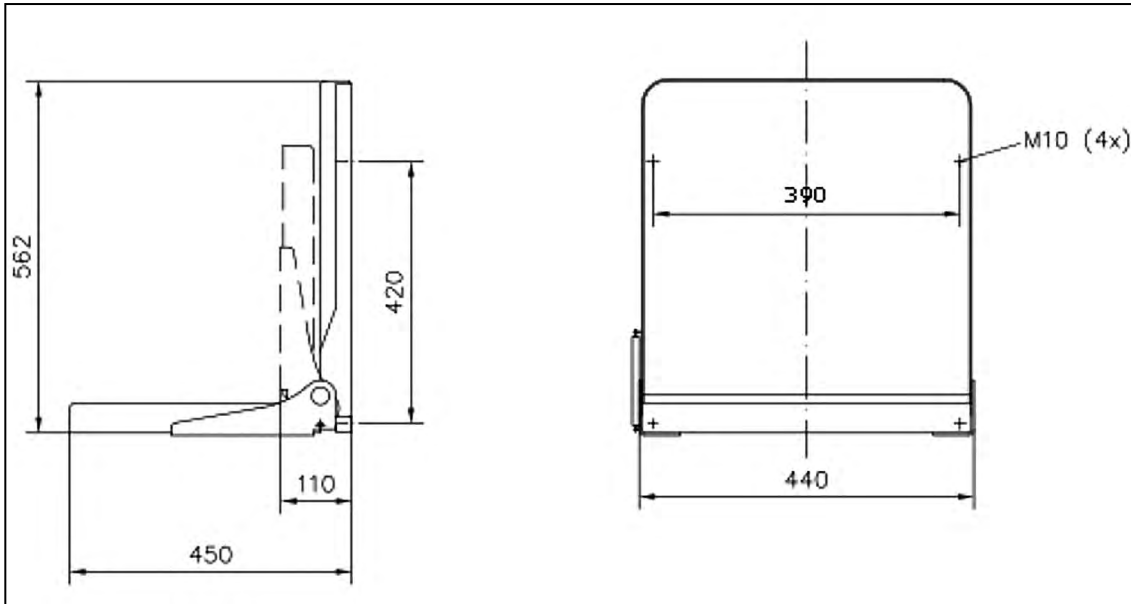
www.pacificmarine.net



info@pacificmarine.net

Copyright © Quality Pacific Manufacturing, Inc.

DRAWING WITH REVERSE VIEW



MOUNTING HARDWARE IS NOT INCLUDED

4 EACH M10 BOLT HOLES ON SEAT BACK

