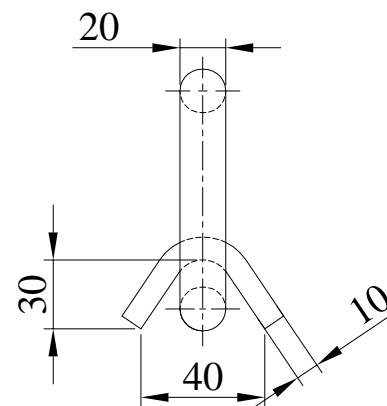
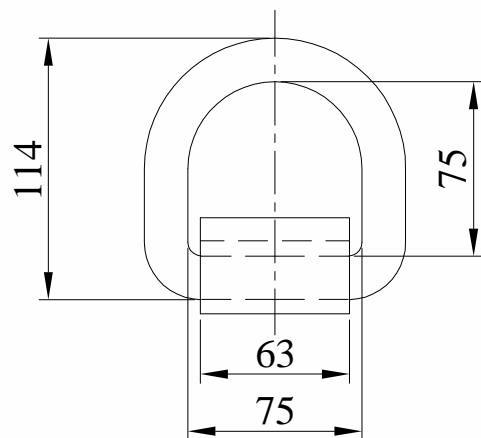
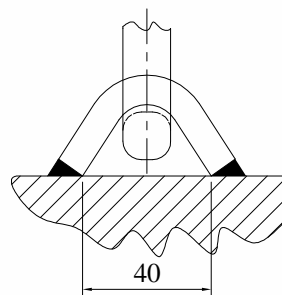


LIFTING POINT 4 TON SWL

PCA-B1-LIFT



Welding Recommendation



LOADS	SHEAR [KN]	TENSION [KN]
BREAKING LOAD	-	200
SWL LIFTING (5:1)	-	40

TOTAL WEIGHT	1.2 KG
MATERIAL	FORGED STEEL
FINISH	HOT DIP GALVANISED