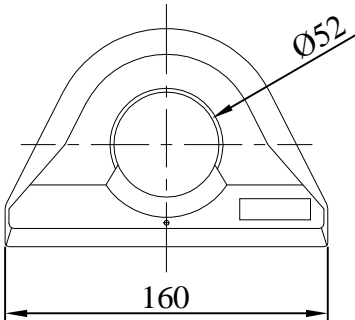
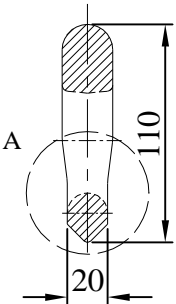
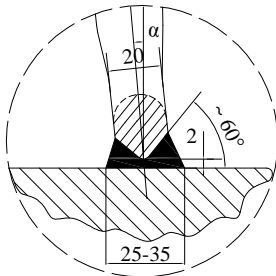


FIXED LIFTING EYE 10 TONS SWL

PAM-A1-LIFT



Welding Recommendation



A
3:1

LOADS	SHEAR [KN]	TENSION [KN]
BREAKING LOAD	-	500
SWL LIFTING (5:1)	-	100

TOTAL WEIGHT	1.74 KG
MATERIAL	FORGED STEEL
FINISH	SHOP PRIMER