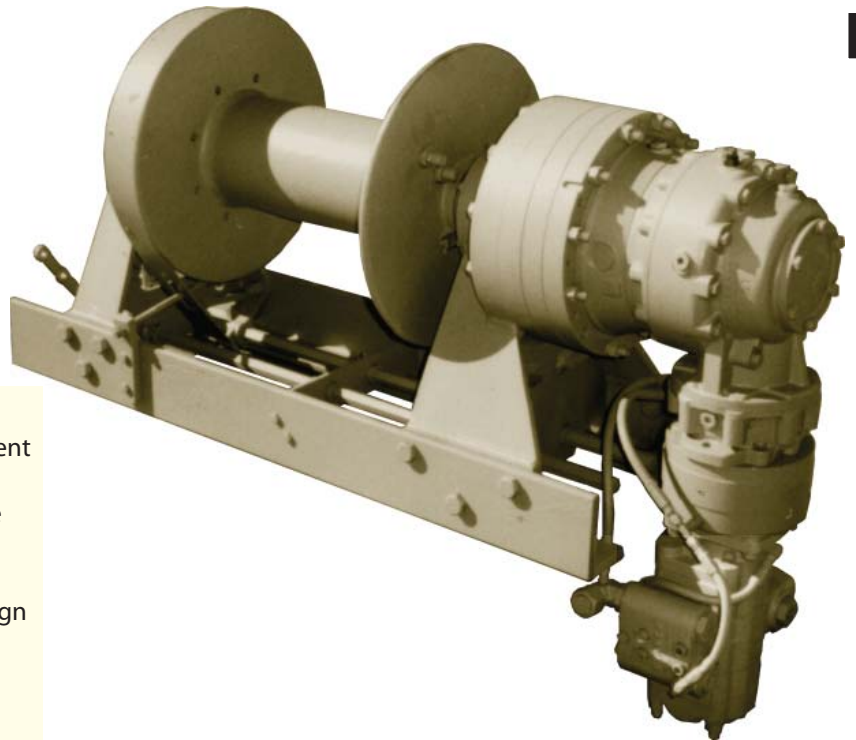


HP70A

70,000 LB First Layer Line Pull

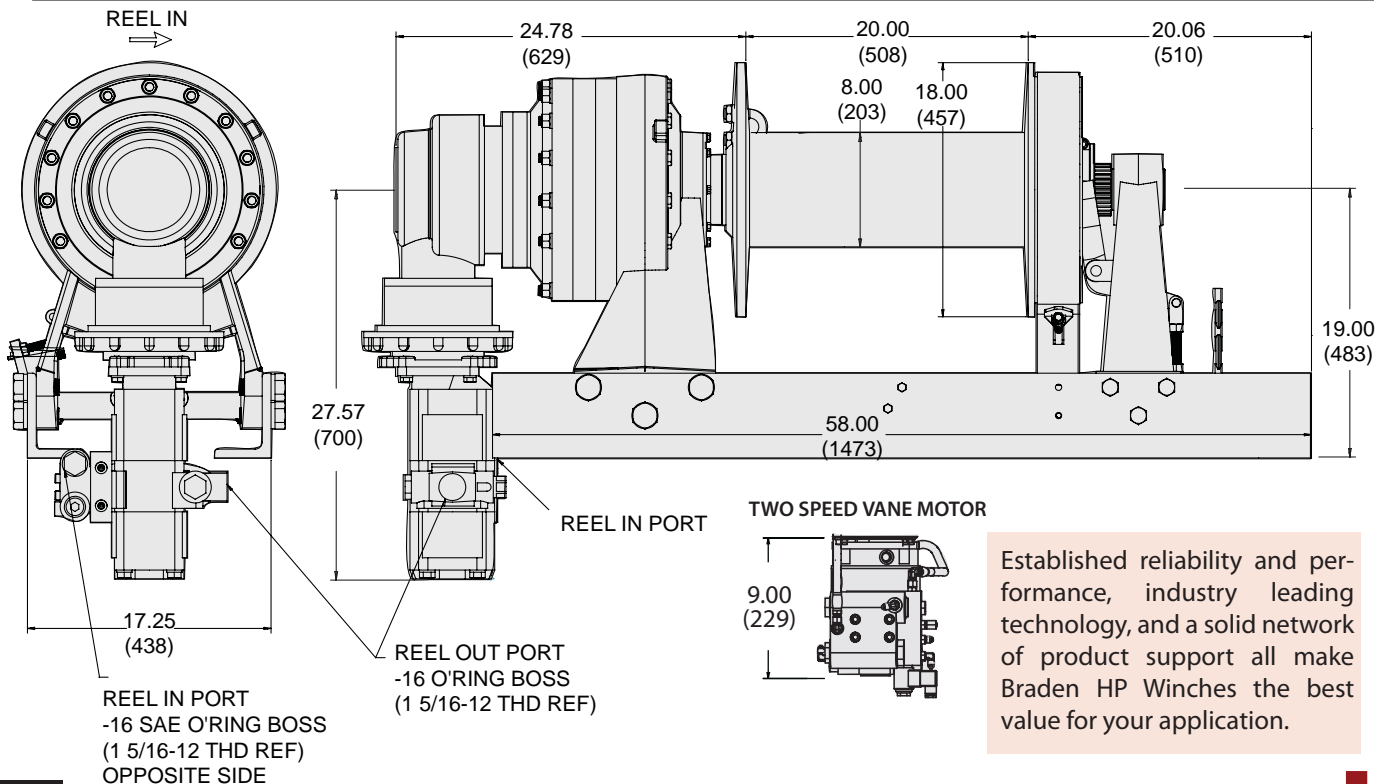
BRADEN
PACCAR WINCH DIVISION



Standard Features:

- Planetary gearing for highly efficient operation
- Sliding drum clutch with negative draft jaws will not release under load
- Rugged, compact low profile design
- Multi-disc wet brake to hold firm even if a hydraulic line breaks
- Patented BRADEN Brake Valve for smooth and reliable load control

Dimensions



PACCAR WINCH DIVISION
P.O. BOX 547 BROKEN ARROW, OK U.S.A. 74013
PHONE (918) 251-8511 FAX (918) 259-1575
www.paccarwinch.com

Copyright 2006 PACCAR Inc
All Rights Reserved



Authorized Distributor:
Pacific Marine & Industrial
www.pacificmarine.net
info@pacificmarine.net

Specifications

HP70A-80128/064-01

12.8/6.4 cu in. 2-Speed Gear Motor (209/104cc)

2570 PSI (177 bar) @ 60 gpm (227 lpm)

Wire Rope Diameter: 1 1/8"

	LOW SPEED				HIGH SPEED				ROPE CAPACITY	
	LINE PULL		LINE SPEED		LINE PULL		LINE SPEED			
	LB	KG	FPM	MPM					FT	M
1	70,000	31,800	24	7	30,900	14,000	56	17	38	12
2	56,300	25,600	30	9	24,800	12,300	69	21	86	26
3	47,000	21,400	36	11	20,800	9,400	83	25	143	44
4	40,400	18,400	43	13	17,800	8,100	97	30	209	64

* Rope capacity based on 90% of theoretical

HP70A-80130/065-01

13.0/6.50 cu in. 2-Speed Rineer Motor (213/106cc)

2400 PSI (165 bar) @ 60 gpm (227 lpm)

Wire Rope Diameter: 1 1/8"

	LOW SPEED				HIGH SPEED				ROPE CAPACITY	
	LINE PULL		LINE SPEED		LINE PULL		LINE SPEED			
	LB	KG	FPM	MPM					FT	M
1	70,000	31,800	30	9	33,400	15,200	60	18	38	12
2	56,300	25,600	37	11	26,900	12,200	75	23	86	26
3	47,000	21,400	44	13	22,500	10,200	89	27	143	44
4	40,400	18,400	52	16	19,300	8,750	104	32	209	64

* Rope capacity based on 90% of theoretical

Wire Rope Storage Capacities

-01 DRUM CAPACITY [inches]

(8.10" B x 18.00" F x 20.00" W)

	1	2	3	4	5
7/8"	48	103	168	243	327
1"	41	92	152	221	300
1 1/8"	38	86	143	209	

-01 DRUM CAPACITY [meters]

(8.10" B x 18.00" F x 20.00" W)

	1	2	3	4	5
7/8"	14	31	51	74	99
1"	13	30	48	69	93
1 1/8"	12	26	44	64	



Authorized Distributor:
Pacific Marine & Industrial
www.pacificmarine.net
info@pacificmarine.net