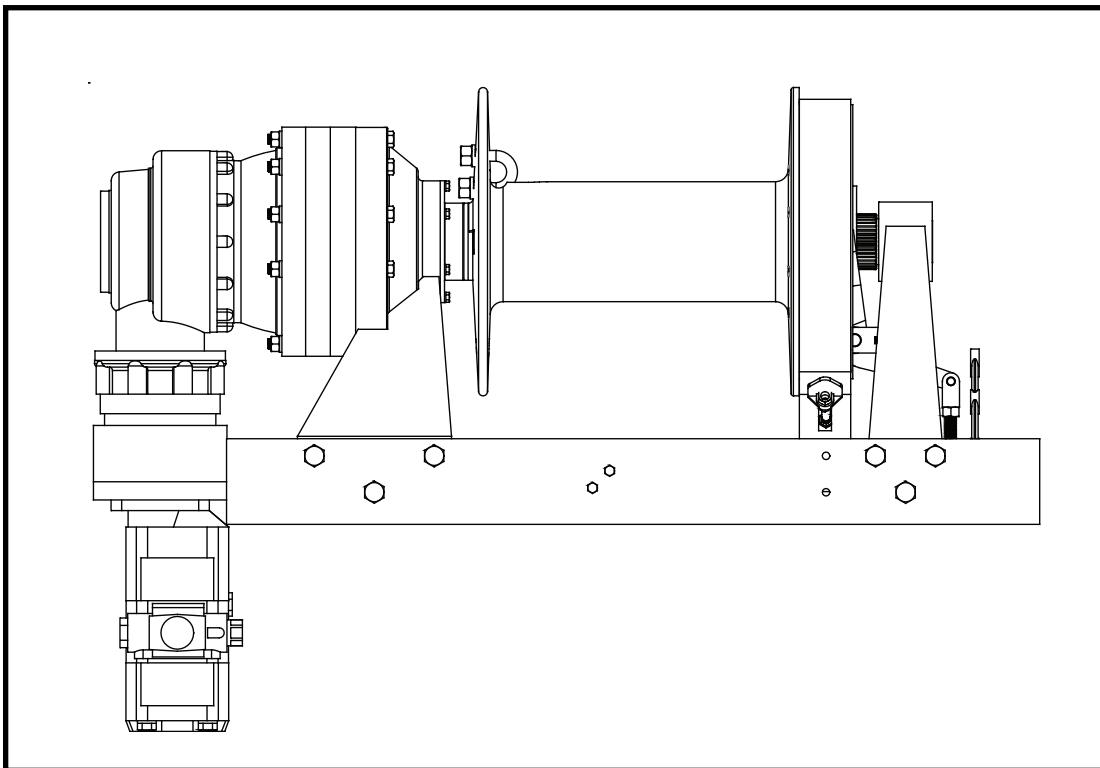


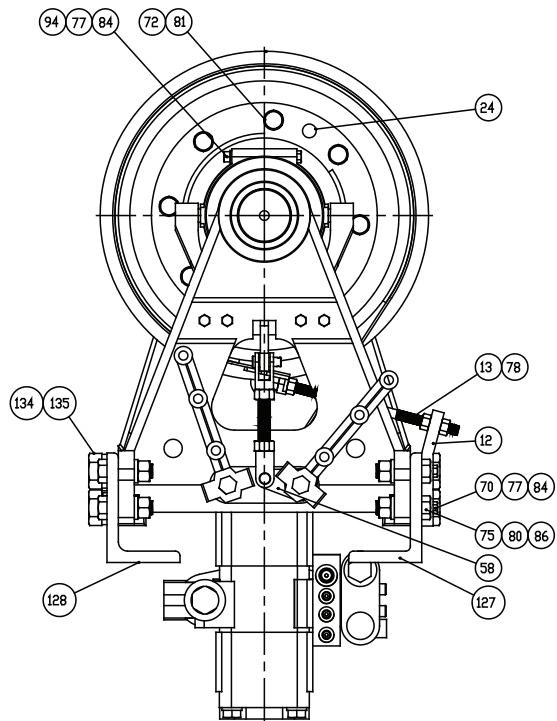
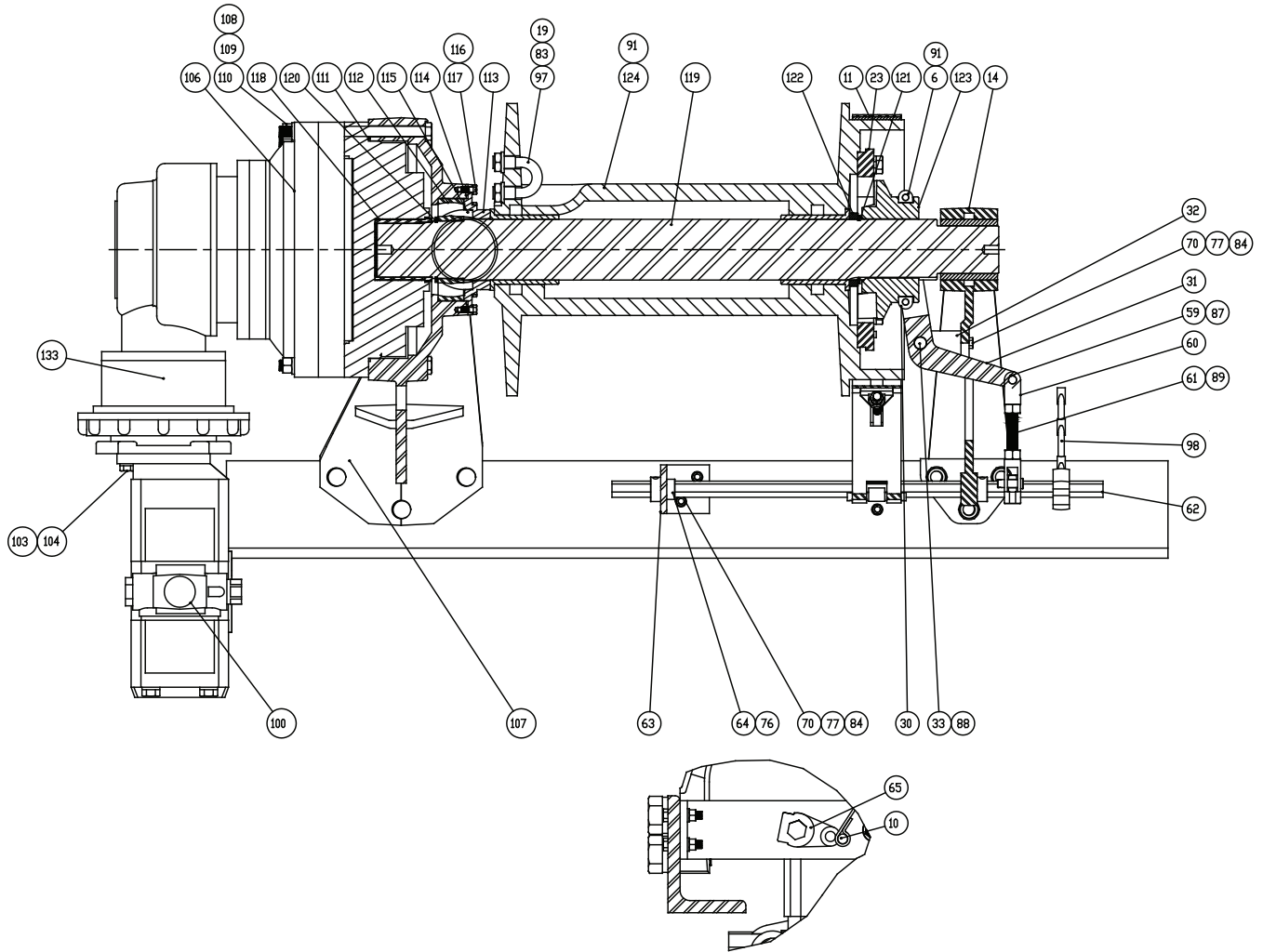
## MATERIAL LIST

NOTE: Several “running” changes have been made to the hydraulic motor group and its hoses and fittings. These were done to implement product improvements. ALWAYS include the winch serial number and complete model code when inquiring or ordering parts.



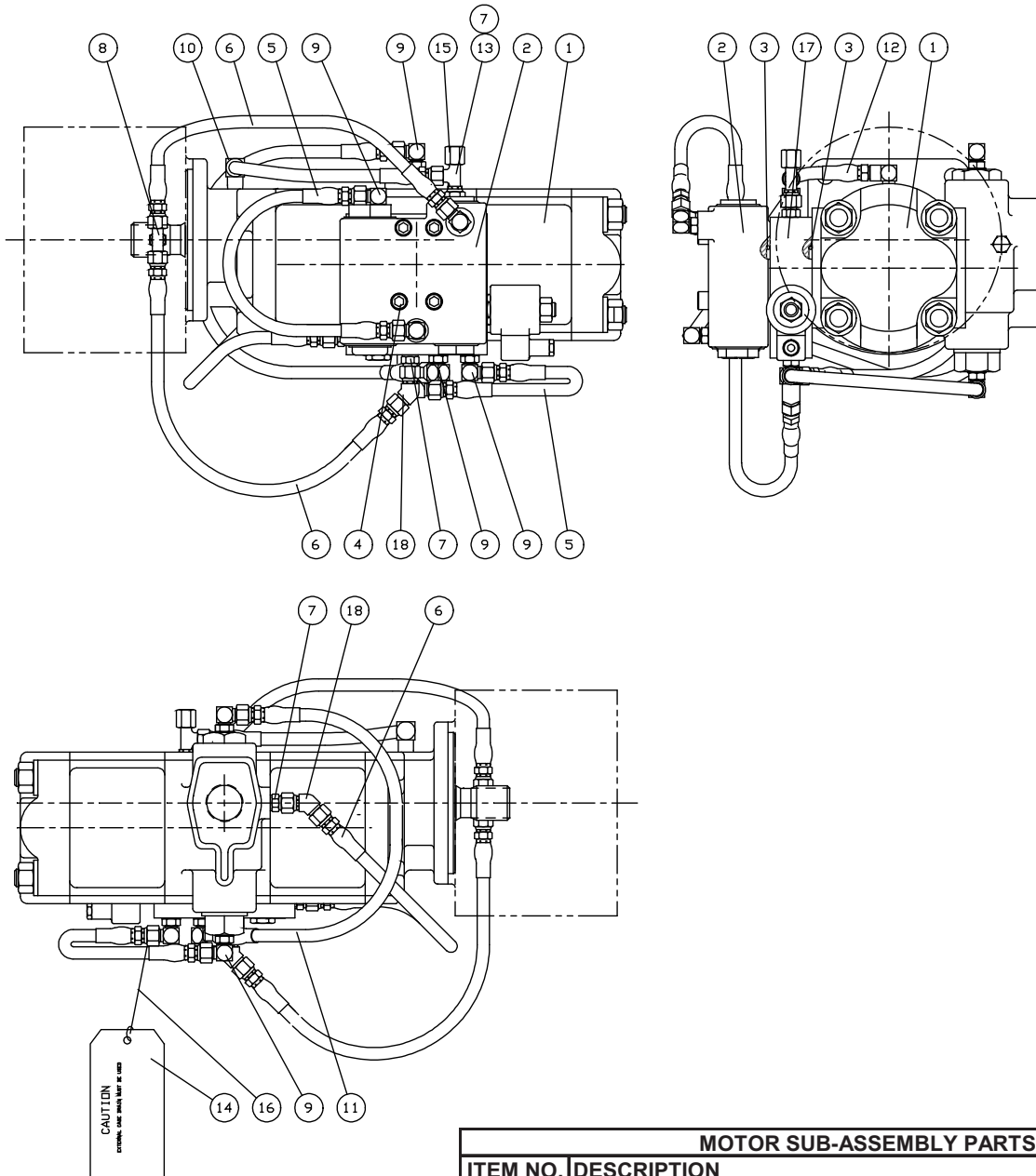
Authorized Distributor:  
**Pacific Marine & Industrial**  
www.pacificmarine.net  
info@pacificmarine.net

**PACCAR WINCH DIVISION**  
P.O. BOX 547 BROKEN ARROW, OK U.S.A. 74013  
PHONE (918) 251-8511 FAX (918) 259-1575  
[www.paccarwinch.com](http://www.paccarwinch.com)



BASE WINCH PARTS			
Item No	Description	Part No.	Qty.
6	CLUTCH RIDER	11672	1
10	BRAKE BAND PIN	11569	1
11	BRAKE BAND ASSEMBLY	81590	1
12	BRAKE BAND LINK BRACKET	12786	1
13	BRAKE BAND LINK	11570	1
14	BEARING-LEG-ASSY. (WITH BUSHING)	81038	1
19	JAM NUT (3/4)	11791	2
23	CLUTCH PLATE	11654	1
24	DOWEL PIN	12769	2
30	CLUTCH RIDER	11671	1
31	CLUTCH SHIFTER FORK	11673	1
32	SHIFTER FORK BRACKET	11656	2
33	PIVOT PN	11657	1
58	CLUTCH LEVER	11676	1
59	CLEVIS PIN	12751	2
60	CLEVIS	11578	2
61	CLEVIS LINK	11583	1
62	CONTROL SHAFT	102867	2
63	BRACKET	11579	1
64	COLLAR BRG	11669	4
65	BRAKE LEVER	11678	1
70	CAPSCREW (3/8 - 16 X 1-3/4 G8 Z)	104311	10
72	CAPSCREW (5/8 - 11 X 2 G8 Z)	72563	8
75	CAPSCREW (7/8 - 9 X 3 G8 Z)	24708	6
76	SETSCREW	13957	8
77	NUT-HEX (3/8)	11780	12
78	NUT-HEX (1/2)	22701	4
80	NUT-HEAVY (7/8)	22886	6
81	LOCKWASHER (5/8)	102423	8
83	LOCKWASHER (3/4)	13435	2
84	LOCKWASHER (3/8)	27152	12
86	LOCKWASHER (7/8)	13447	6
87	COTTERPIN	18008	4
88	COTTER PIN	13959	1
89	NUT-HEX (5/8)	22702	2
91	GREASE FITTING	18047	3
94	CAPSCREW (3/8 - 16 x 4 G8 Z)	21477	2
97	CABLE CLAMP	29036	1
98	LEVER ASSEMBLY (with setscrew)	81208	2
100	MOTOR SUB-ASSEMBLY	--	1
103	CAPSCREW (1/2 x 1-1/2 G8 Z)	104322	4
104	LOCKWASHER (1/2)	11026	4
106	RIGHT ANGLE DRIVE	82824	1
107	SUPPORT MOTOR END	102920	1
108	CAPSCREW (5/8 - 11 x 9)	102689	13
109	HEX-NUT (5/8)	13448	13
110	LOCKWASHER (5/8)	102423	13
111	O-RING	72112	1
112	SPHERICAL ROLLER BEARING	102690	1
113	BEARING CAP	102691	1
114	O-RING	10450	1
115	LIP SEAL	103906	1
116	CAPSCREW (5/16 - 18 x 3/4)	11763	8
117	LOCKWASHER (5/16)	11024	8
118	SPLINE ADAPTER	102692	1
119	DRUM SHAFT	102693	1
120	RETAINING RING	102694	1
121	RETAINING RING	102695	1
122	SPACER	102696	1
123	SLIDING CLUTCH	102697	1
124	DRUM ASSEMBLY	82848	1
127	BASE ANGLE R.H.	102983	1
128	BASE ANGLE L.H.	102984	1
133	ADAPTER	102774	1
134	CAPSCREW	103413	6
135	WASHER	27890	6



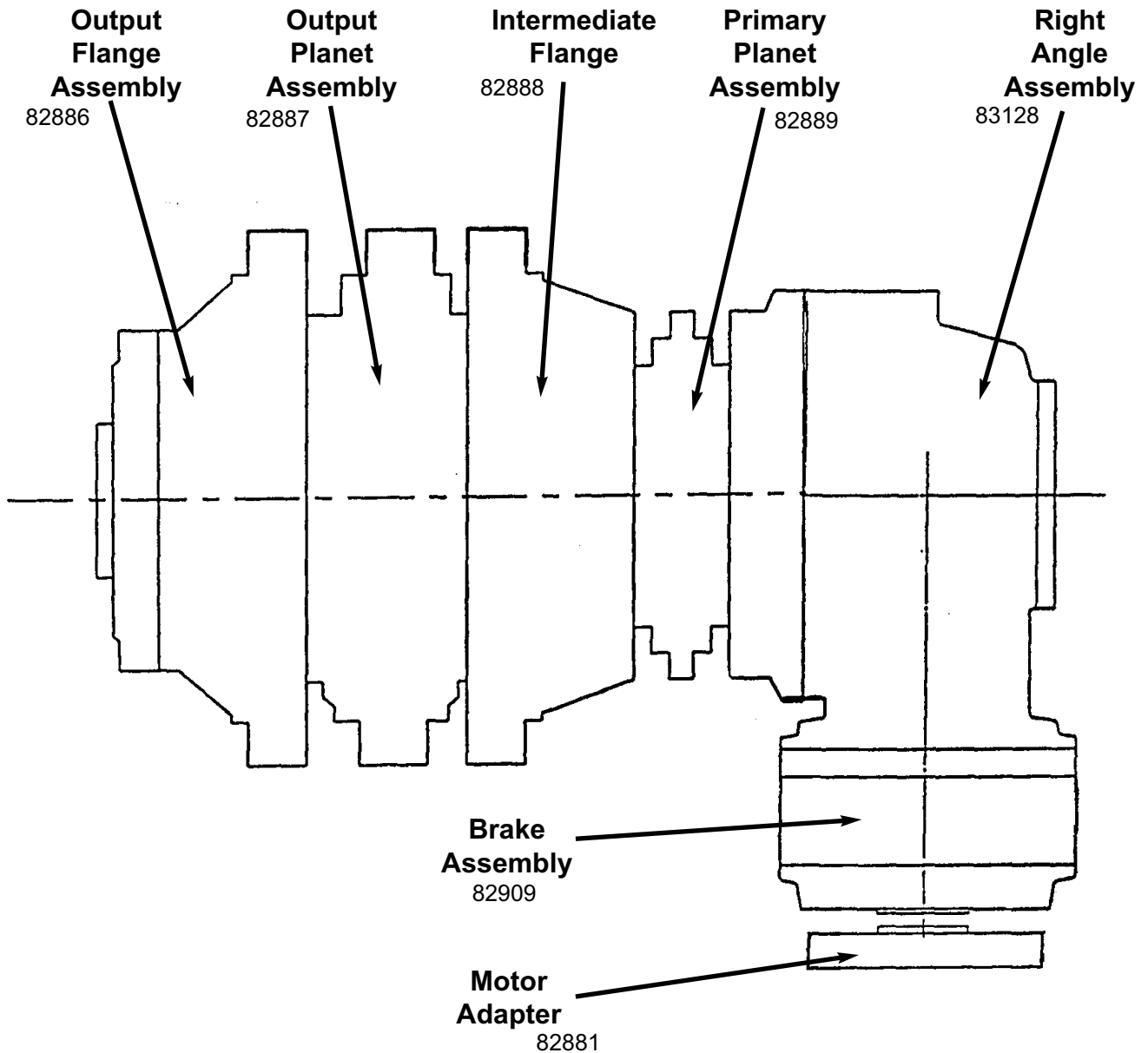


MOTOR SUB-ASSEMBLY PARTS			
ITEM NO.	DESCRIPTION	PART NO.	QTY.
1	HYD MOTOR, 2-SPEED	25651	1
2	BRAKE VALVE ASSEMBLY	82940	1
3	O-RING	13838	2
4	CAPSCREW (7/16 - 14 X 4-1/2 G8 Z)	102476	4
5	HOSE ASSEMBLY (10 in. -4 to -4)	25936	2
6	HOSE ASSEMBLY (17 in.)	25750	3
7	ADAPTER	25864	5
8	SWIVEL TEE	25748	1
9	ELBOW FITTING	25302	7
10	REDUCER ELBOW	24236	1
11	HOSE ASSEMBLY ( 20 in.)	25952	1
12	HOSE ASSEMBLY (10 in. NPT to -4)	13711	1
13	SWIVEL TEE	26002	1
14	WARNING TAG	29080	1
15	CAP NUT	70182	1
17	MANIFOLD	102922	1
18	MALE UNION	70122	1
19	SWIVEL NUT 90 DEG. ELBOW	26140	2



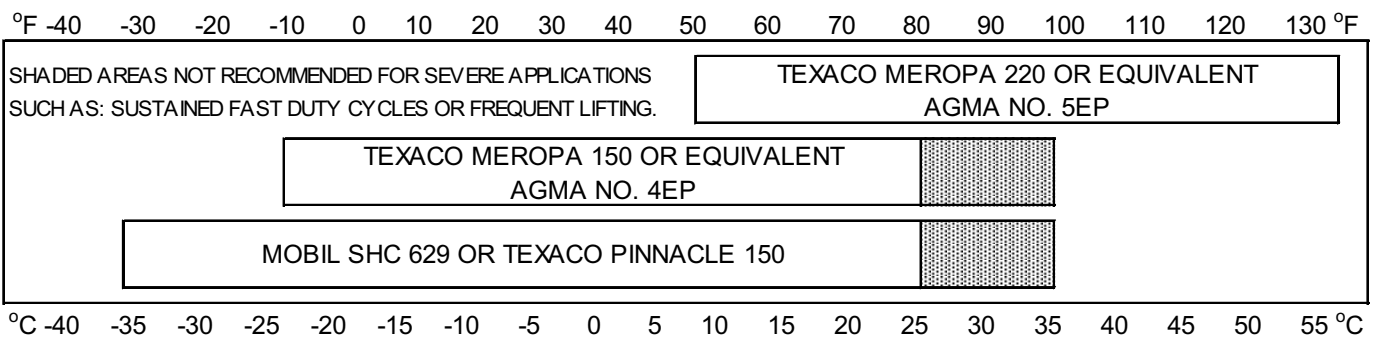
Authorized Distributor:  
**Pacific Marine & Industrial**  
[www.pacificmarine.net](http://www.pacificmarine.net)  
[info@pacificmarine.net](mailto:info@pacificmarine.net)

# OVERALL GEARBOX ASSEMBLY

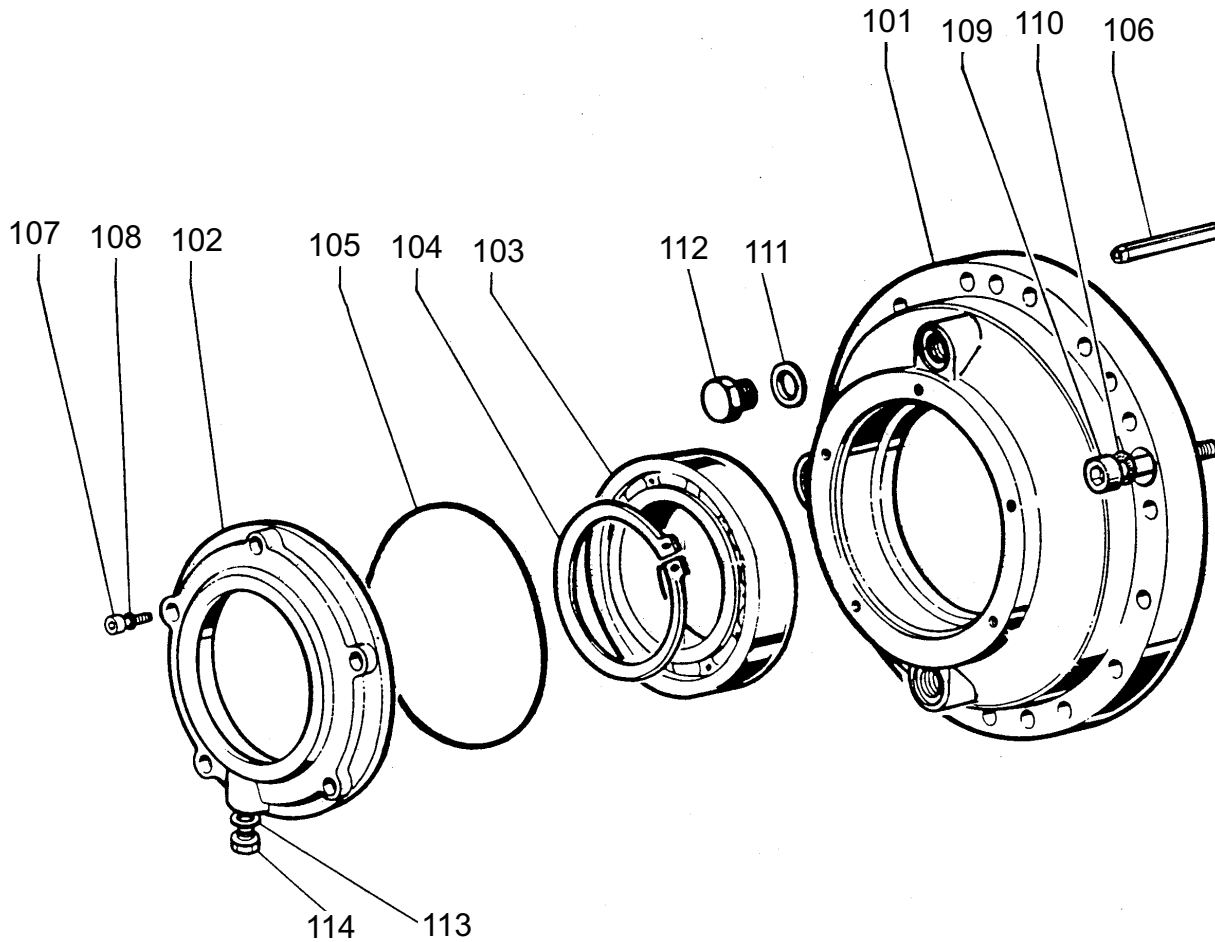


## RECOMMENDED GEAR OIL

### PREVAILING AMBIENT TEMPERATURE



Authorized Distributor:  
**Pacific Marine & Industrial**  
[www.pacificmarine.net](http://www.pacificmarine.net)  
[info@pacificmarine.net](mailto:info@pacificmarine.net)



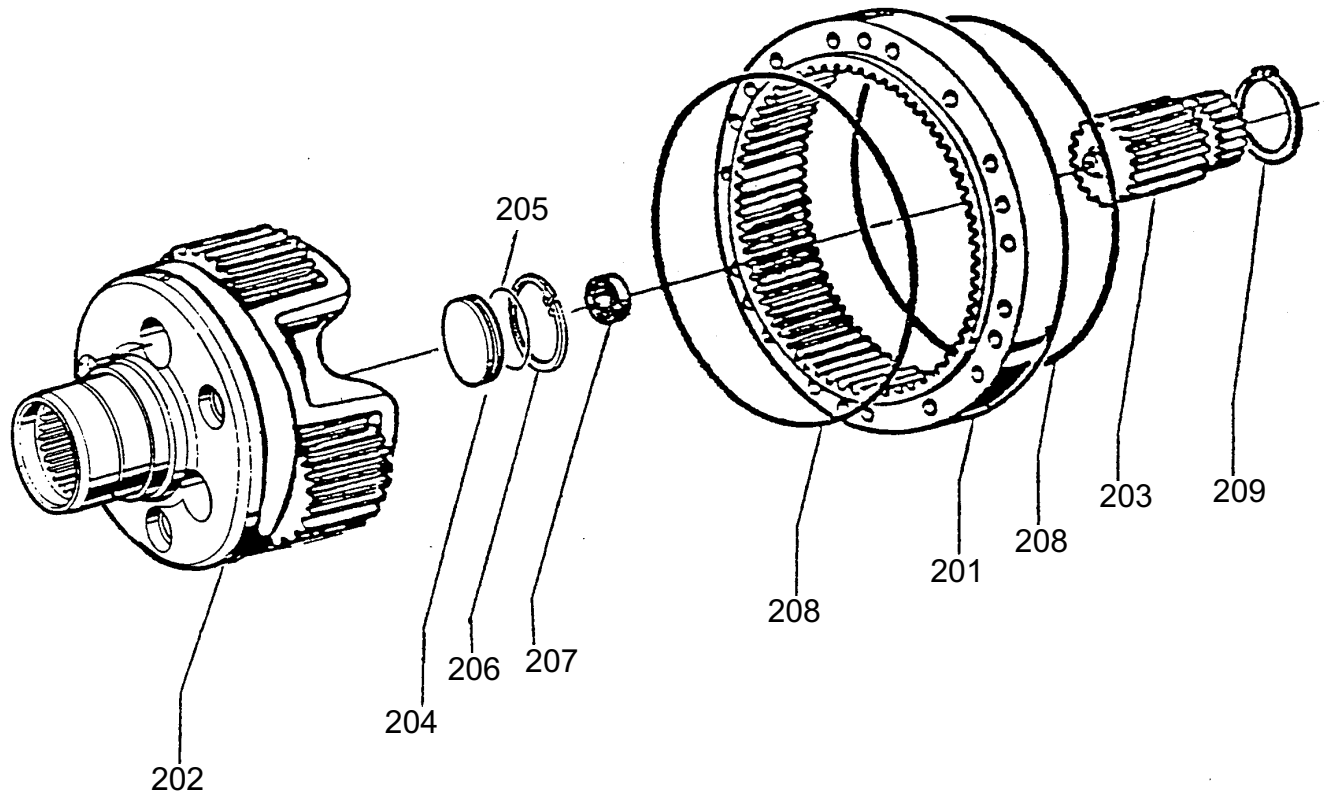
OUTPUT FLANGE ASSEMBLY (82886)			
ITEM NO.	DESCRIPTION	PART NO.	QTY.
101	OUTPUT FLANGE		1
102	SEAL CARRIER		1
103	BEARING		1
104	RETAINING RING		1
105	O-RING		1
106	ROLL PIN		3
107	CAPSCREW		5
108	WASHER		5
109	CAPSCREW		3
110	WASHER		3
111	WASHER		3
112	PLUG		3
113	WASHER		1
114	PLUG		1

## GEARBOX KITS

- Seal Kit                    Part No. 83010
- Bearing Kit                Part No. 82883
- Plug & Vent Kit          Part No. 82884
- Brake Repair Kit        Part No. 82885



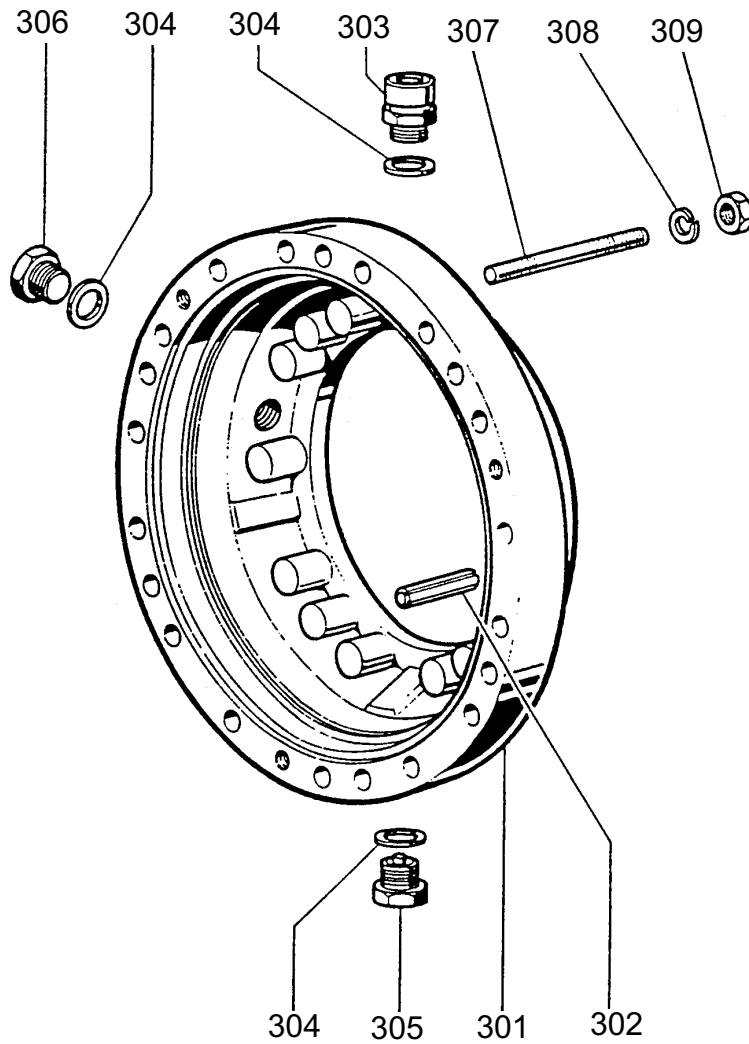
Authorized Distributor:  
**Pacific Marine & Industrial**  
[www.pacificmarine.net](http://www.pacificmarine.net)  
[info@pacificmarine.net](mailto:info@pacificmarine.net)



OUTPUT PLANET ASSEMBLY (82887)			
ITEM NO.	DESCRIPTION	PART NO.	QTY.
201	RING GEAR		1
202	OUTPUT PLANET ASSEMBLY	103121	1
203	OUTPUT SUN GEAR	103120	1
204	THRUST WASHER		1
205	O-RING		1
206	RETAINING RING		1
207	BEARING		1
208	O-RING		2
209	RETAINING RING		1



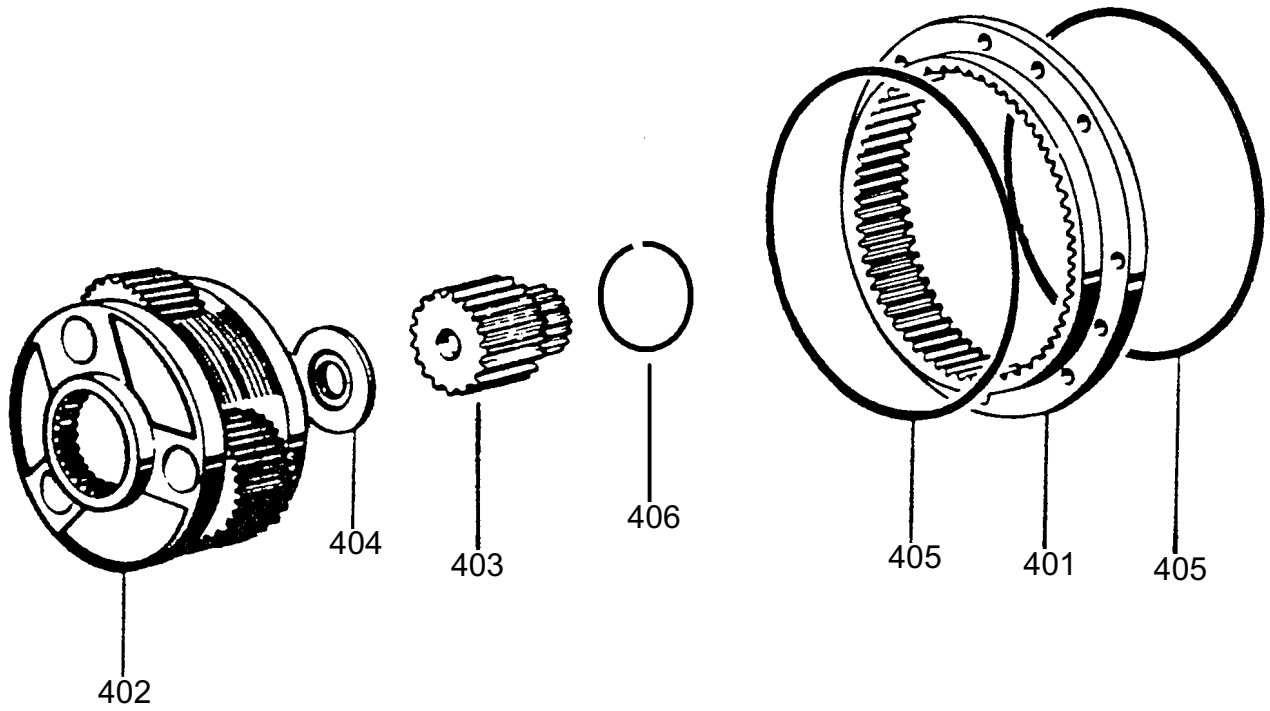
Authorized Distributor:  
**Pacific Marine & Industrial**  
[www.pacificmarine.net](http://www.pacificmarine.net)  
[info@pacificmarine.net](mailto:info@pacificmarine.net)



INTERMEDIATE FLANGE ASSEMBLY (82888)			
ITEM NO.	DESCRIPTION	PART NO.	QTY.
301	INTERMEDIATE FLANGE		1
302	ROLL PIN		4
303	BREATHER		1
304	WASHER		3
305	MAGNETIC PLUG		1
306	PLUG		1
307	STUD		10
308	WASHER		10
309	HEX NUT		10



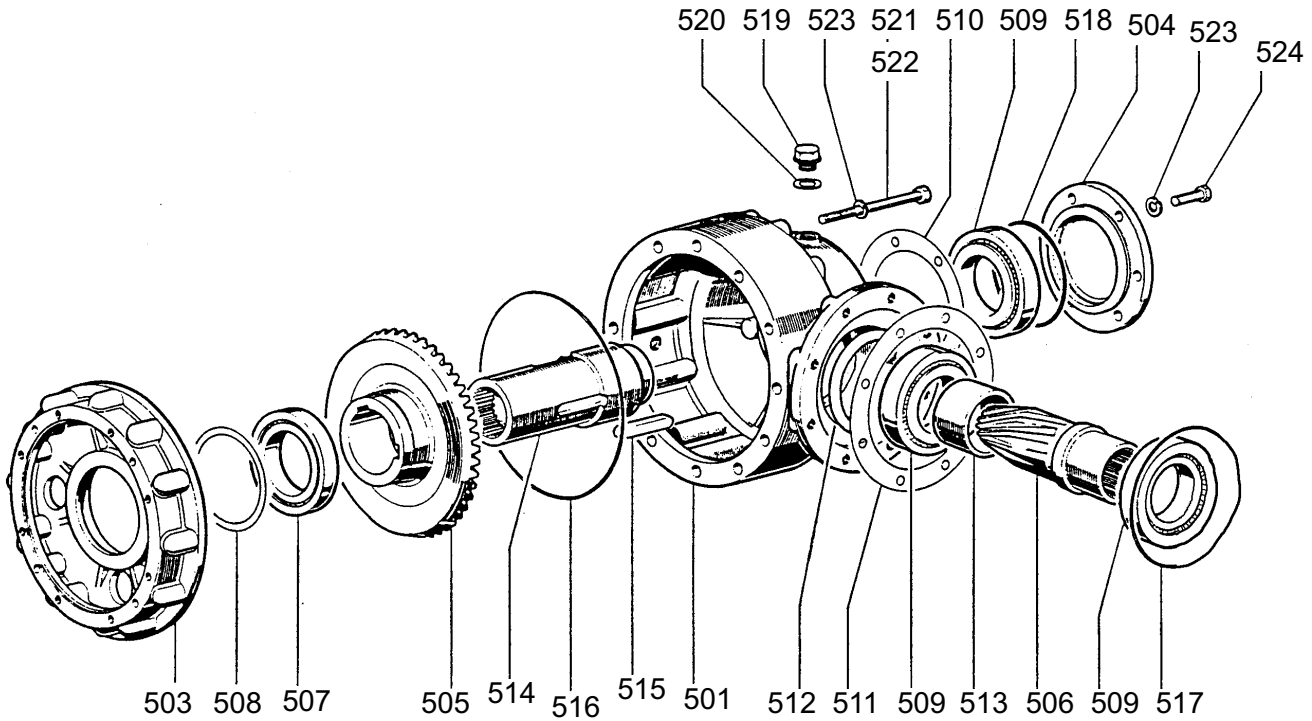




PRIMARY PLANET ASSEMBLY (82889)			
ITEM NO.	DESCRIPTION	PART NO.	QTY.
401	RING GEAR		1
402	PRIMARY PLANET ASSEMBLY	103124	1
403	PRIMARY SUN GEAR	103122	1
404	THRUST WASHER	103123	1
405	O-RING		2
406	RETAINING RING		1

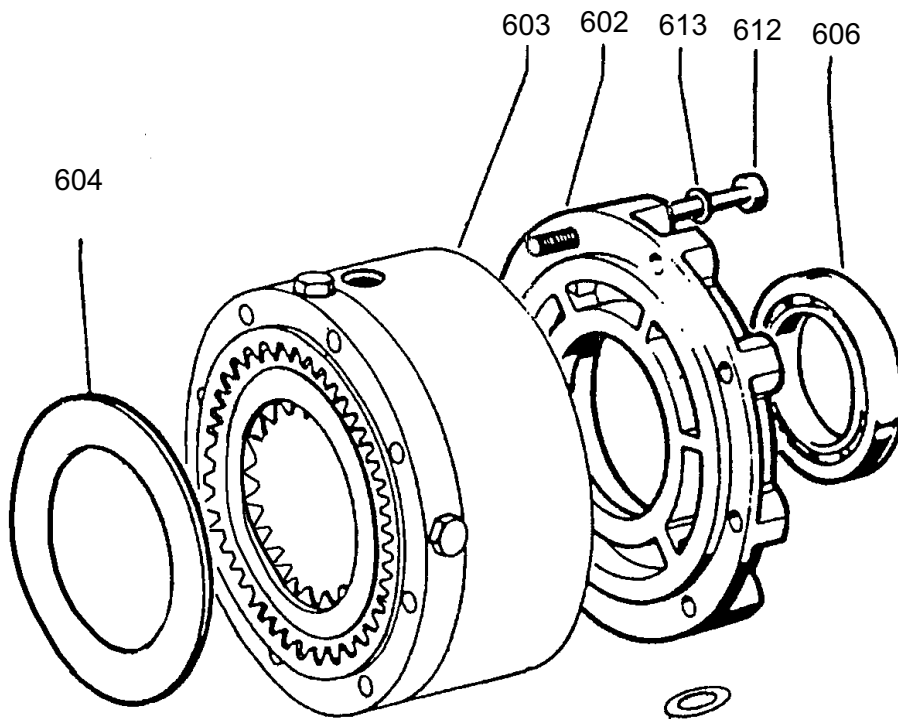


Authorized Distributor:  
**Pacific Marine & Industrial**  
 www.pacificmarine.net  
 info@pacificmarine.net

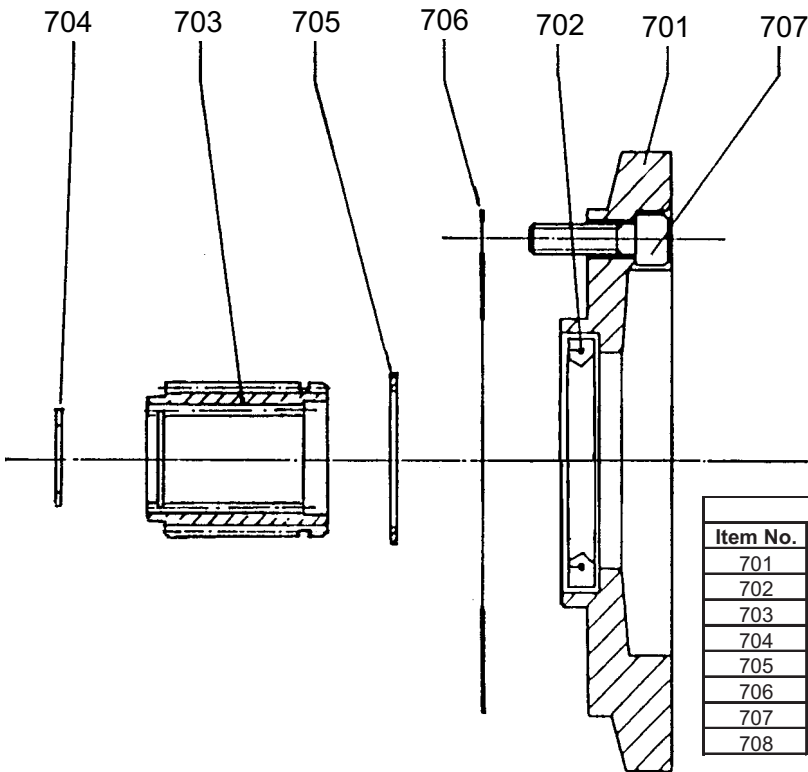


Right Angle Assembly (83128)			
Item No.	Description	Part No.	Qty.
501	HOUSING		1
503	ADAPTER FLANGE		1
504	END COVER		1
505	BEVEL GEAR	103125	1
507	BEARING		1
508	SHIM	103128	2
509	BEARING		3
510	SHIM	103129	1
512	SHIM	103128	1
513	SPACER		1
514	OUTPUT SHAFT		1
515	KEY		2
516	O-RING		1
517	O-RING		3
518	O-RING		1
519	PLUG, 3/8 in.		5
520	WASHER, 3/8 in.		5
521	CAPSCREW		9
522	CAPSCREW		2
523	FLAT WASHER		17
524	CAPSCREW		6
526	FLANGE (not shown)		1
527	SPACER (not shown)		1
528	SPACER (not shown)		1





BRAKE ASSEMBLY (82909)			
Item No.	Description	Part No.	Qty.
602	ADAPTER FLANGE		1
603	BRAKE ASSEMBLY		1
604	SPACER		1
606	BEARING		2
610	PLUG		2
611	WASHER		2
612	CAPSCREW		8
613	WASHER		16
617	DISC (part of item 603)	105533	4
618	DISC (part of item 603)	105534	5



MOTOR ADAPTER (82881)			
Item No.	Description	Part No.	Qty.
701	MOTOR FLANGE		1
702	SEAL		1
703	SHAFT ADAPTER	103116	1
704	RETAINING RING	103498	1
705	RETAINING RING	103499	1
706	GASKET		1
707	CAPSCREW		6
708	LIP SEAL (not shown)	103363	1