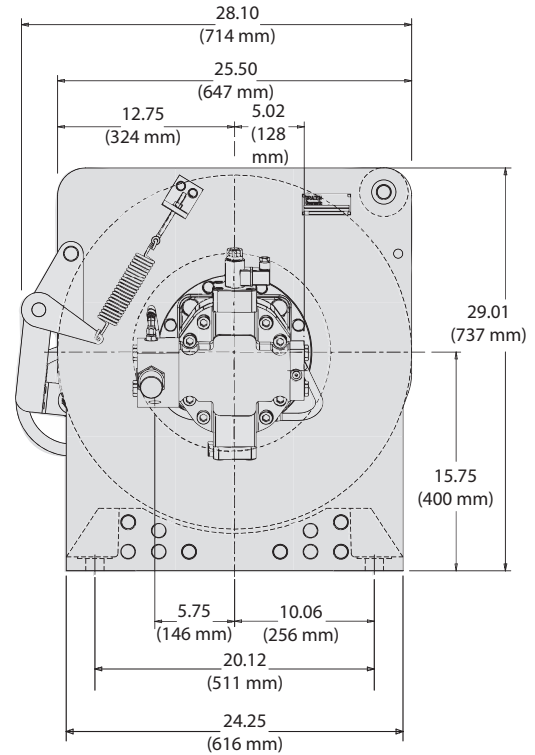
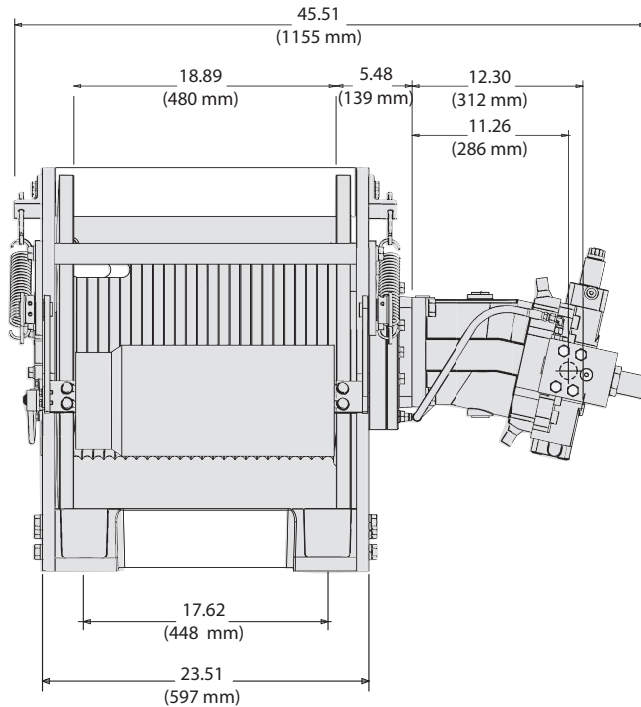


BRADEN

MODEL PD21A

UP TO 20,250-POUND LINEPULL



• 20,250 lbs. First Layer

• 50:1 Ratio

PD21A-50090-08G

9.02 cu in. Motor (147.8 cc)

2960 PSI (204 bar) @ 125 gpm (473.1 lpm)

Wire Rope Diameter: 3/4"

	LINE PULL		LINE SPEED		ROPE CAPACITY	
	LB	KG	FPM	MPM	FT	M
1	20,250	9,185	242	74	101	31
2	18,490	8,387	266	81	211	64
3	17,010	7,715	289	88	331	101
4	15,750	7,144	312	95	460	140
5	14,660	6,649	335	102	599	183
6	13,720	6,223	358	109	748	228
*7	12,890	5,846	381	116	906	276

*The last legal layer per ANSI is 6



Authorized Distributor:
Pacific Marine & Industrial
www.pacificmarine.net
info@pacificmarine.net

LIT2445 R1 6-2009