

OPERATOR STAR/IMO



The Strong

PROFILE Special mission chair for naval and high-speed applications. A very special and strong shock-absorbing system combined with a proven mechanical suspension leads to ultimate power in »rough« seas and speedy operations.

Also available with low backrest.

RECOMMENDED APPLICATION Workboats, Highspeed-crafts, Navy, Coast-guard, Patrol-boats, Police-boats.



Picture shows IMO-Version



SERIAL FEATURES

- Shock absorbing-system
- Weight adjustment
- Adjustable headrest
- Foldable armrests
- Adjustable backrest
- Seat rotates 360°

OPTIONS

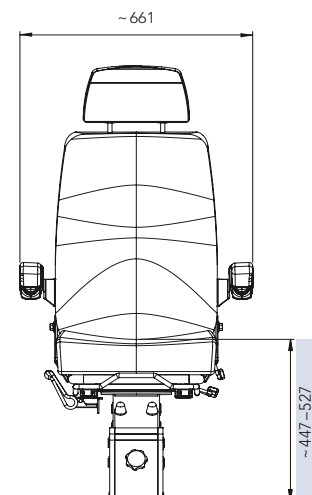
- Seat cushion depth adjustment
- Seat heater
- Seatbelt
- Logo-Stitch
- Custom upholstery – see page 29

EXTRAS

- Deck rail – see pages 30–31

IMO-VERSION

- Tested with 12 G
- 4-point harness belt
- Extra-strong steel-frame



Product Code CCS044 Operator STAR
CCS046 Operator STAR IMO

Subject to change without prior notice · Pictures may show optional equipment

