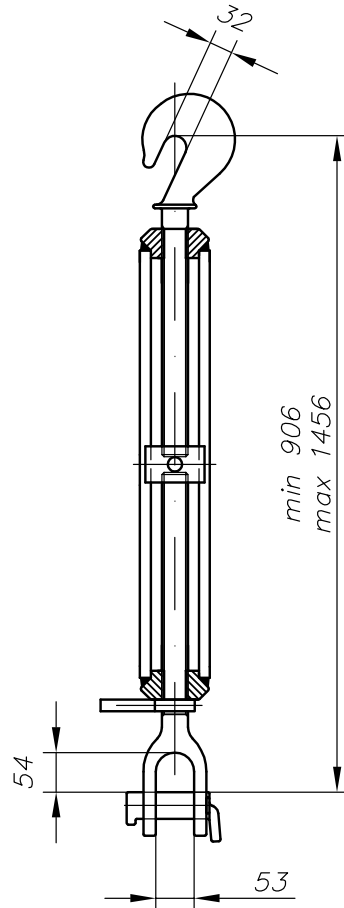


1018607



Class approval: upon customer request  
Nom. breaking load: Tension: 490 kN (50t)

Material: high tensile steel

Finish: hot dip galvanized  
spindle greased only

Weight: 15,8 kg  
Index:  
Drawn by: JWJ  
Date: 12.06.02  
Dwg. No.: R0100.7011  
File No.: R01007011