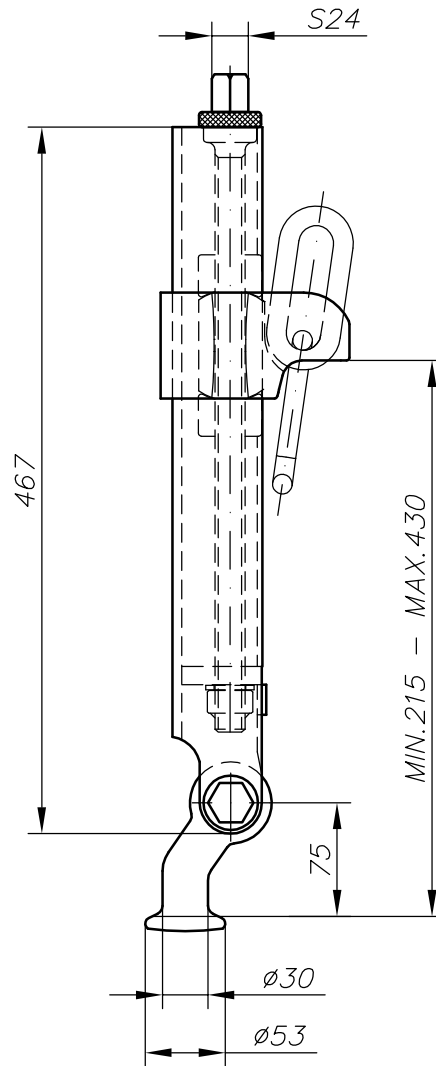


1023373



PAT. PEND.

Class approval: acc. to order confirmation  
 Nom. breaking load: Tension: 200 kN  
 Testing load: 130 kN  
 Material: high tensile steel  
 cast steel  
 Finish: hot dip galvanized  
 spindle greased only

Weight: 5,8 kg  
 Index: a/03.09.02/JWI  
 Drawn by: RWK  
 Date: 12.06.02  
 Dwg. No.: R0120.4011a  
 File No.: R01204011a  
 Project No.:

Copying of this document and giving it to others and the use or communication of contents thereof, are forbidden without express authority. Offenders are liable to the payment of damage. All rights are reserved in the event of the grant of patent or registration of the utility model or design. Modifications of design are reserved.