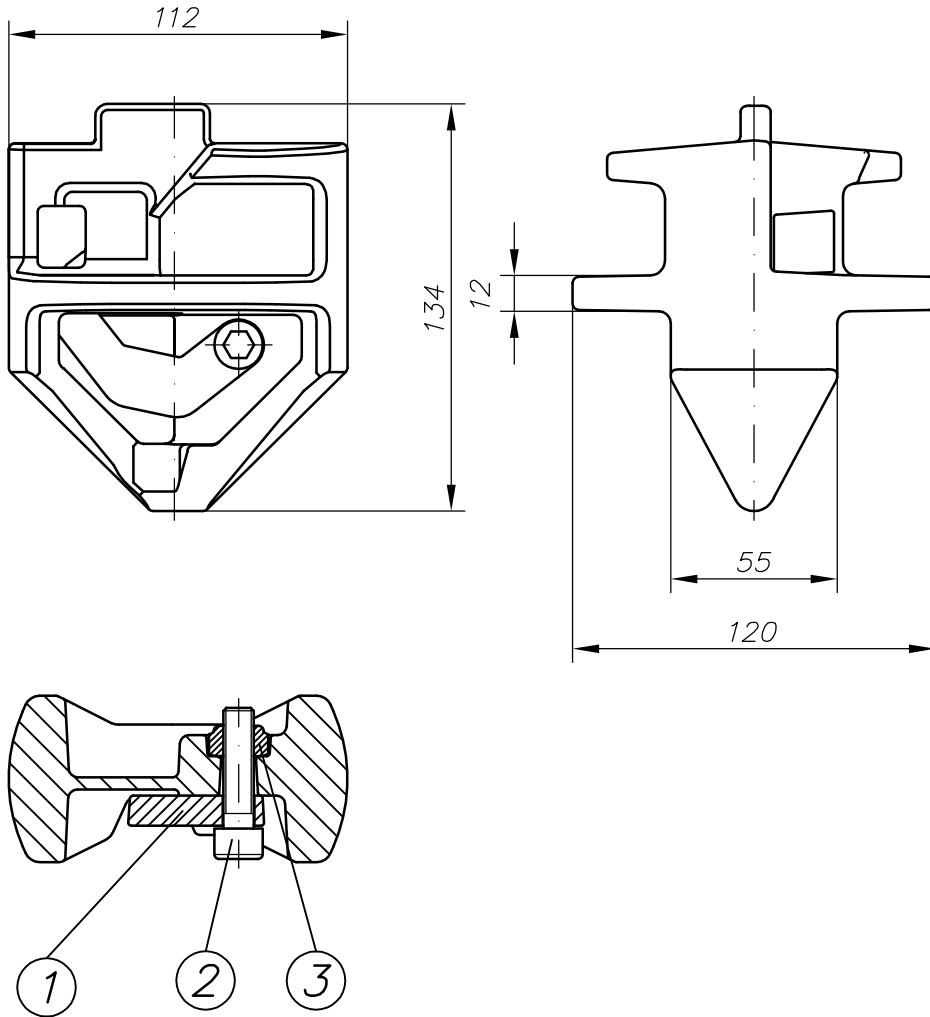


1019754



After assembly the screw has to be firmly tightened and then unscrewed one turn.

Spare part list

3	Nut	1009564
2	Screw	1009526
1	Securing device	1019756
POS	Description	Ident. No.

Class approval: ABS
 Nom. breaking load: Shear: 412 kN (42MT)

Material: nodular cast iron

Finish: hot dip galvanized

Weight: ~ 3 kg
 Index:
 Drawn by: JWI
 Date: 12/03/03
 Dwg. No.: MA-R2004.2212
 File No.: MA-R20042212
 Project No.:

Copying of this document and giving it to others and the use or communication of contents thereof, are forbidden without express authority. Offenders are liable to the payment of damage. All rights are reserved in the event of the grant of patent or registration of the utility model or design. Modifications of design are reserved.