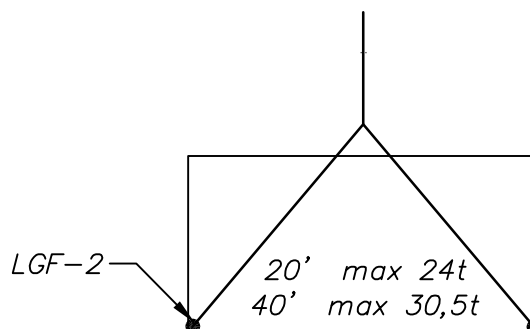
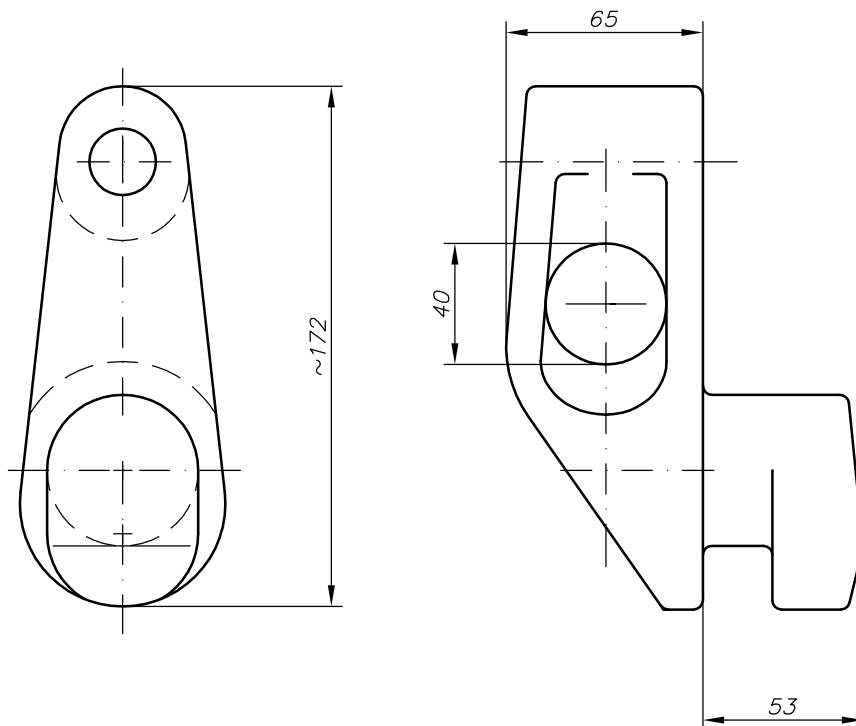


Copying of this document and giving it to others and the use or communication of contents thereof, are forbidden without express authority. Offenders are liable to the payment of damage. All rights are reserved in the event of the grant of patent or registration of the utility model or design. Modifications of design are reserved.



Class approval: acc. to order confirmation  
 Nom. breaking load:

Material: cast steel

Finish: acc. to order confirmation

Weight: 3,3kg

Index:

Drawn by: JWI

Date: 01.07.03

Dwg. No.: R2919.0699

File No.: R29190699

Project No.: