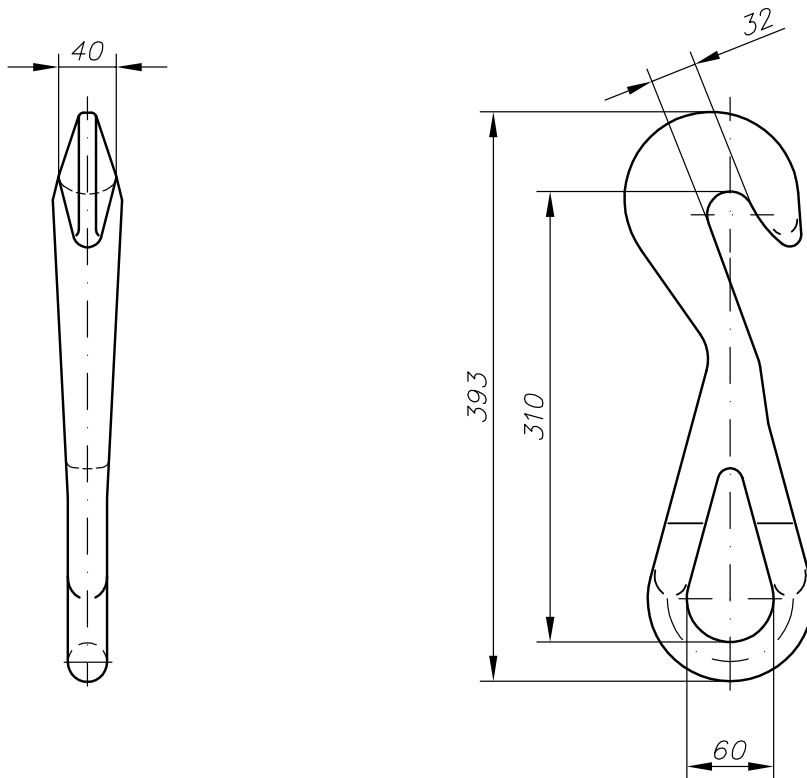


1003912



Copying of this document and giving it to others and the use or communication of contents thereof, are forbidden without express authority. Offenders are liable to the payment of damage. All rights are reserved in the event of the grant of patent or registration of the utility model or design. Modifications of design are reserved.

Class Approval: acc. to order confirmation
Nom. Breaking Load: 490kN (50t)
Material: forged high tensile steel
Finish: hot dip galvanized

Weight: 5,4Kg
Index:
Drawn by: RWK
Date: 28.02.02
Dwg. No.: R0400.0430
File No.: R04000430