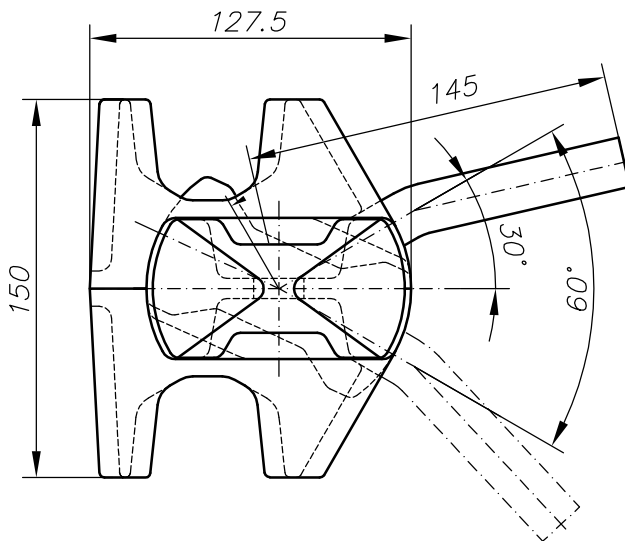
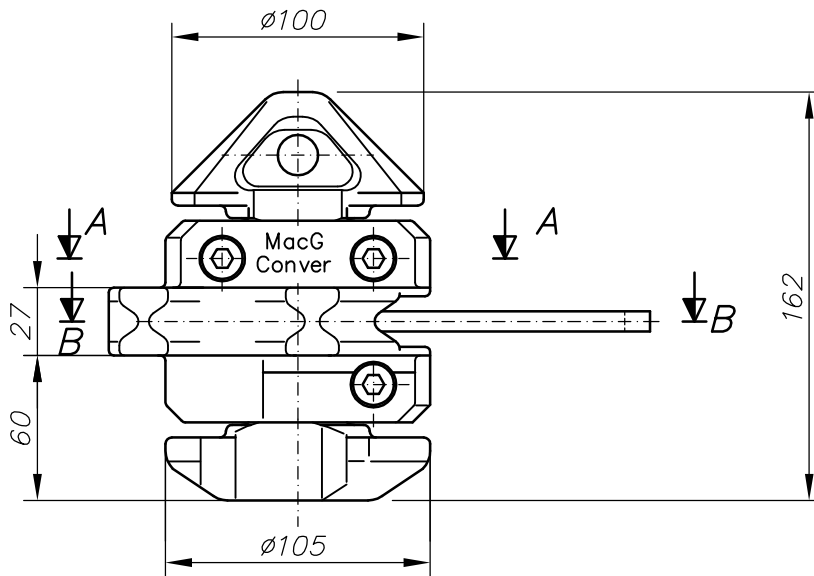
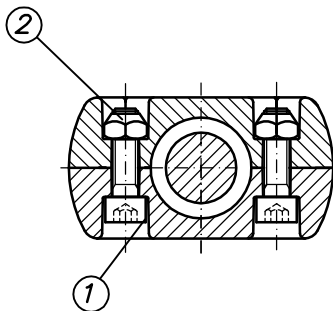
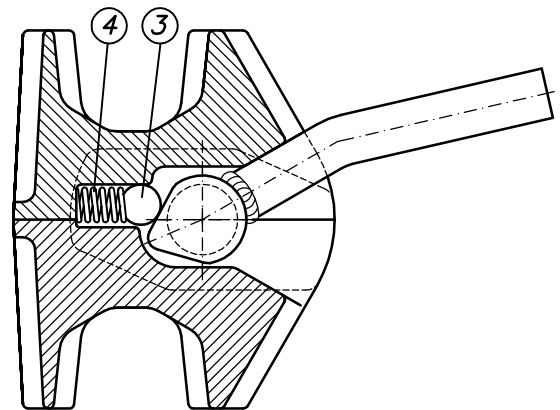


1020836



Section B-B



Designed according to the rules of "GERMANISCHER LLOYD" for higher pressure forces.

Spare part list

4	spring	1010789
3	ball	1010771
2	nut	1009564
1	Screw	1044786
POS	Description	Ident. No.

Class Approval: acc. to order confirmation
 Nom. Breaking Load: Tension 500kN (51t)
 Shear 420kN (43t)
 Material: Bolt: drop forged struc. steel
 housing: nodular cast iron
 Finish: hot dip galvanized

Weight: 5,5 kg

Index: a/15.12.03/JWI
 Drawn by: JWI
 Date: 20.12.01
 Dwg. No.: R0600.9701a
 File No.: R06009701a

Copying of this document and giving it to others and the use or communication of contents thereof, are forbidden without express authority. Offenders are liable to the payment of damage. All rights are reserved in the event of the grant of patent or registration of the utility model or design. Modifications of design are reserved.