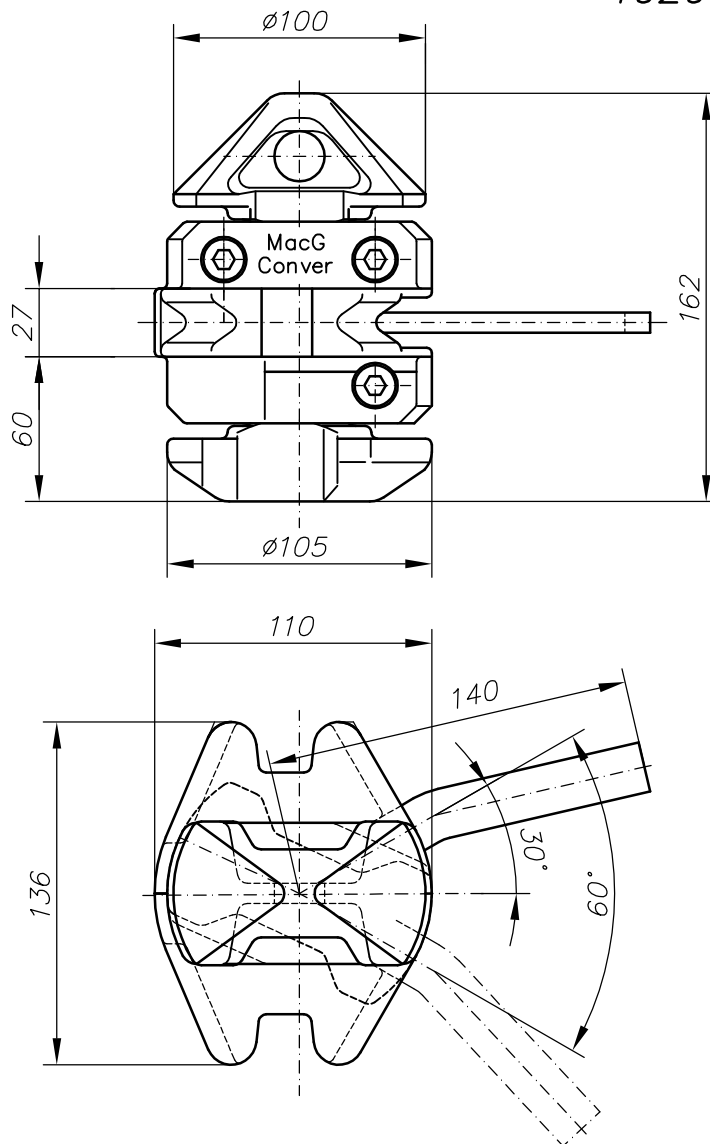


1020835



Spare part list

4	spring	1010789
3	ball	1010771
2	nut	1009564
1	Screw	1044786
POS	Description	Ident. No.

Class Approval: acc. to order confirmation
 Nom. Breaking Load: Tension 500kN (51t)

Shear 420kN (43t)

Material: Bolt: drop forged struc. steel
 housing: nodular cast iron

Finish: hot dip galvanized

Weight: 5,1 kg

Index:

Drawn by: JWJ

Date: 20.12.01

Dwg. No.: R0600.9601

File No.: R06009601