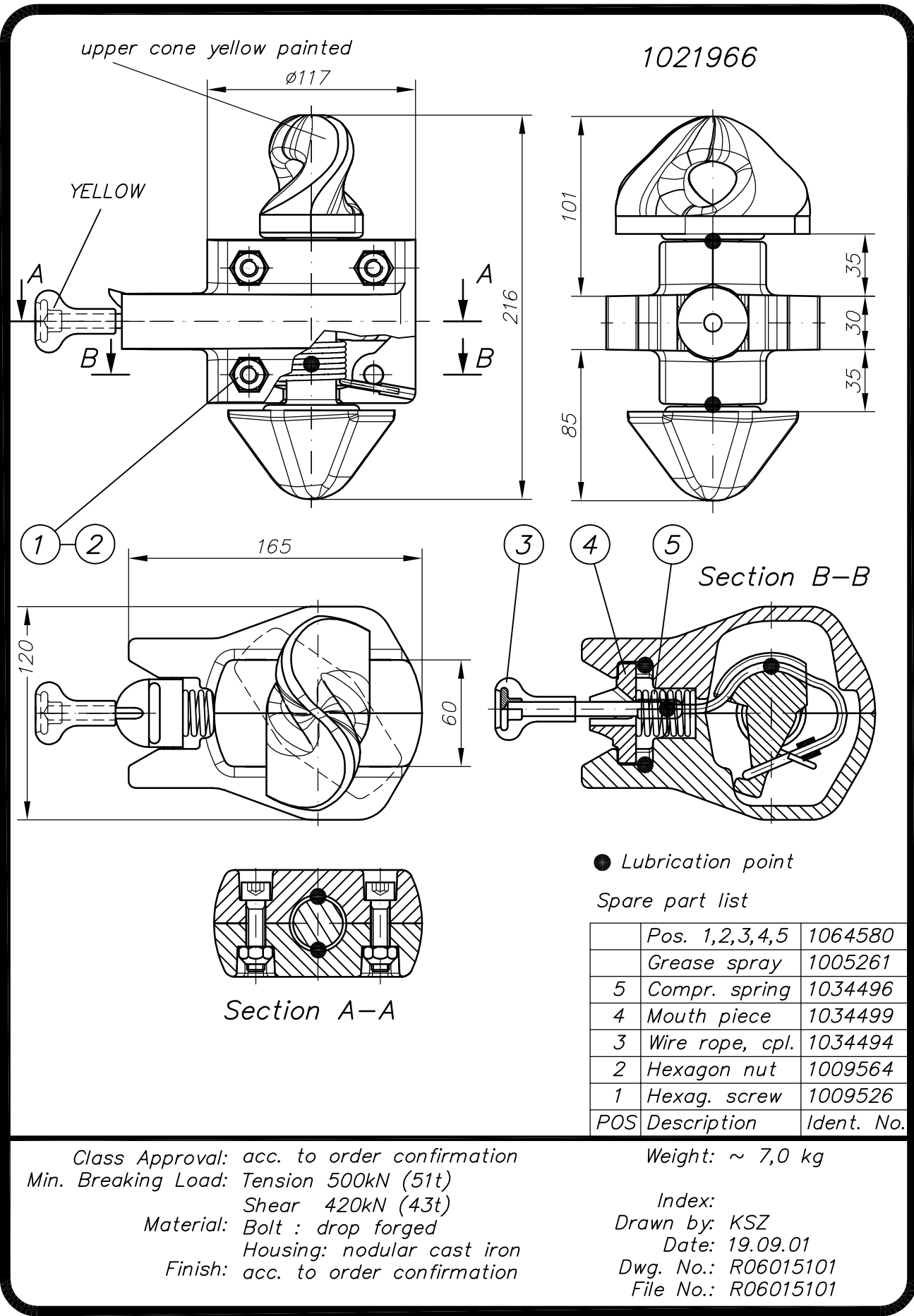


Copying of this document and giving it to others and the use or communication of contents thereof, are forbidden without express authority. Offenders are liable to the payment of damage. All rights are reserved in the event of the grant of patent or registration of the utility model or design. Modifications of design are reserved.



● Lubrication point

Spare part list

	Pos. 1,2,3,4,5	1064580
	Grease spray	1005261
5	Compr. spring	1034496
4	Mouth piece	1034499
3	Wire rope, cpl.	1034494
2	Hexagon nut	1009564
1	Hexag. screw	1009526
POS	Description	Ident. No.

Class Approval: acc. to order confirmation
 Min. Breaking Load: Tension 500kN (51t)
 Shear 420kN (43t)
 Material: Bolt : drop forged
 Housing: nodular cast iron
 Finish: acc. to order confirmation

Weight: ~ 7,0 kg

Index:
 Drawn by: KSZ
 Date: 19.09.01
 Dwg. No.: R06015101
 File No.: R06015101