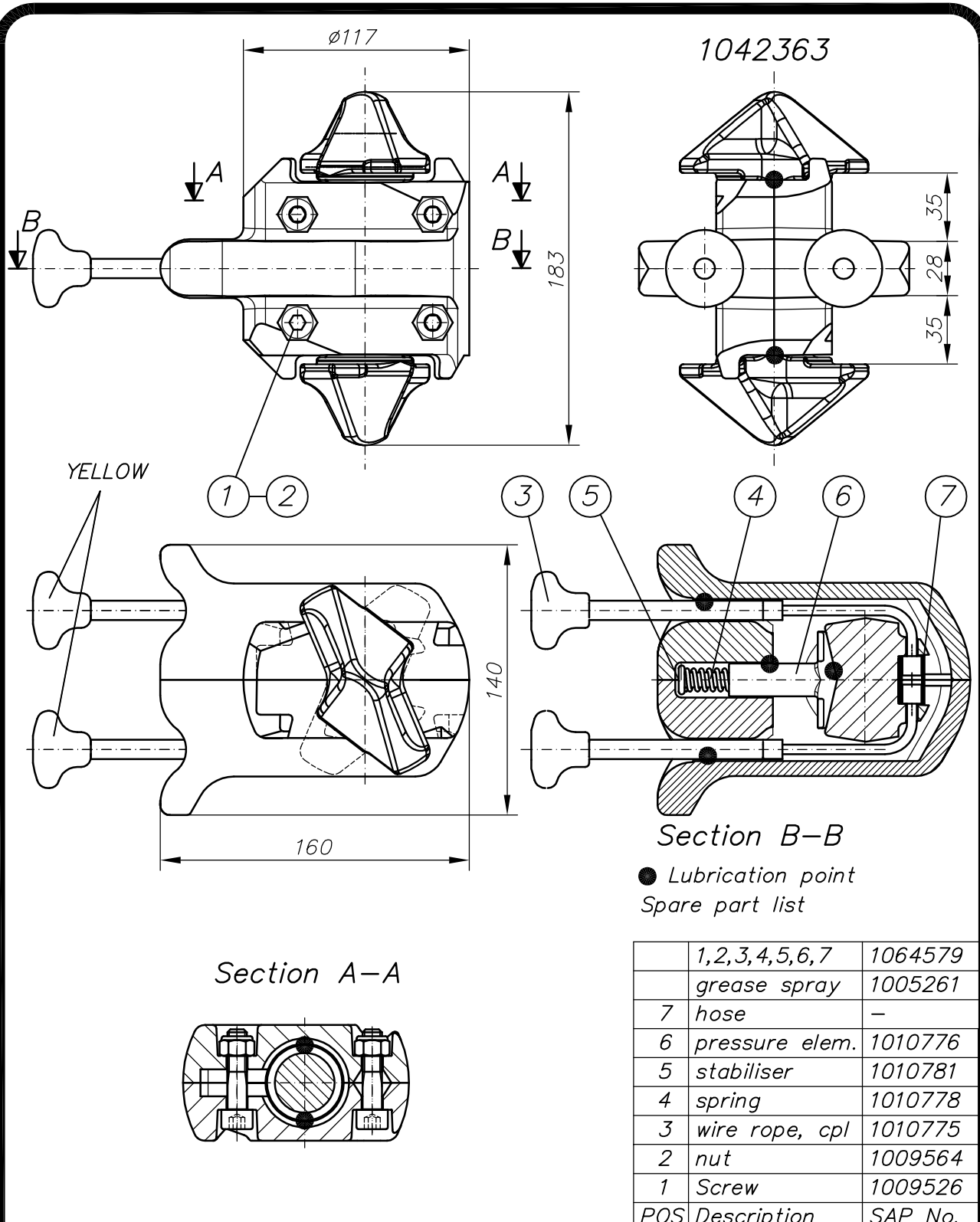


Copying of this document and giving it to others and the use or communication of contents thereof, are forbidden without express authority. Offenders are liable to the payment of damage. All rights are reserved in the event of the grant of patent or registration of the utility model or design. Modifications of design are reserved.



Class approval: ABS  
 Nom. breaking load: Tension: 490 kN (50MT)  
 Shear: 412kN (42MT)  
 Material: Bolt: precision cast steel  
 housing: nodular cast iron  
 Finish: hot dip galvanized

Weight: 5,8 kg  
 Index:  
 Drawn by: JWI  
 Date: 12/03/03  
 Dwg. No.: MA-R0602.0123  
 File No.: MA-R06020123  
 Project No.: