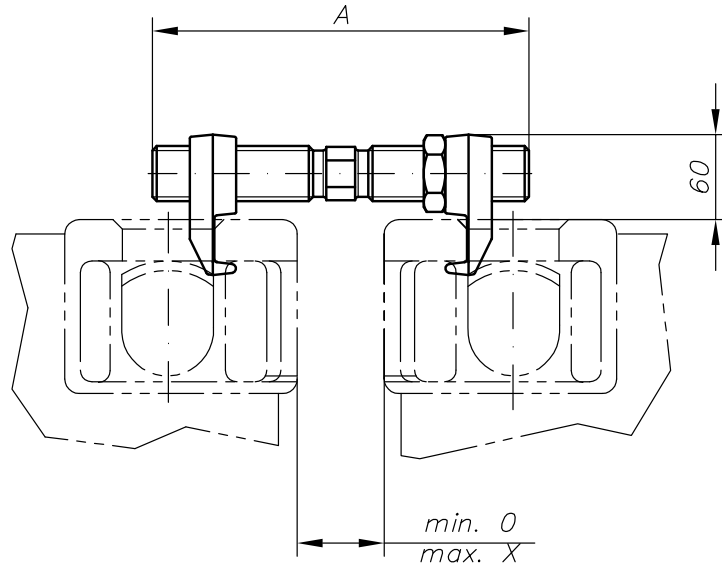
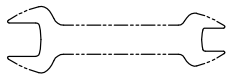


Copying of this document and giving it to others and the use or communication of contents thereof, are forbidden without express authority. Offenders are liable to the payment of damage. All rights are reserved in the event of the grant of patent or registration of the utility model or design. Modifications of design are reserved.



FOR OPERATING:
 SPANNER SW-46/32
 SAP-No.: 1065795



5	BF-1-570	570	420			2501.1601.05	6,2	
4	BF-1-470	470	320			2501.1601.04	5,3	
3	BF-1-380	380	230			2501.1601.03	4,5	
2	BF-1-330	330	180			2501.1601.02	4,1	
1	BF-1-260	260	110			2501.1601.01	3,7	1065794
No.	Type	A	X			Code No.	Weight	SAP-No.

Class approval: acc. to order confirmation
 Nom. breaking load: Tension: 100 kN

Material: structural steel

Finish: hot dip galvanized
 spindle greased

Weight: acc. to table

Index:

Drawn by: JGR

Date: 30.10.02

Dwg. No.: R2501.1601

File No.: R25011601

Project No.: