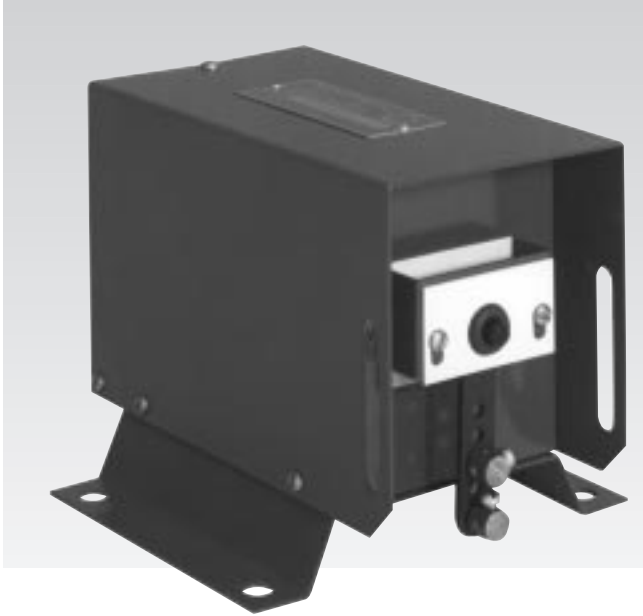


MURPHYMATIC® Engine Throttle Controller



Model AT67207

- Automatically adjusts engine speed to meet demands of pressure, level, load and temperature.
- Speed changes made slowly and smoothly.
- Saves fuel, engine wear, horsepower and labor.
- Perfect for warm-up and cool-down on automated systems.

Description

The AT67207 is a completely reliable heavy duty device developed specifically to automatically control engine speed to meet system demand. Low current, high torque, solid state switching and electronic clutch make it ideal for all automatic and semiautomatic engine systems. Used with the appropriate Murphy SWICHGAGE®, near constant pressure, level and load can be maintained. Check with our engineers for help with other applications where speed control can improve your system.

Applications

Pressure

- City Water Systems.
- Water Flood Injection.
- Sprinkler Lateral Changes.
- Make-up if a “Gang Pump” stops.
- Multiple Hose-reel Irrigation Systems.

Level

- Water or oil storage tanks.
- Waterflood tanks.
- Sewer disposal systems.
- Flood control catch basins.

Temperature

- Multi-engine cooling systems.
- Air conditioned chilled water systems.

Engine load

Empty or fill reservoirs with a lower horsepower engine—fast when head is high—slow when head is low.

Specifications

Voltage: 12 VDC or 24 VDC
negative ground (specify).

Current: 500 mA (1/2 amp).

Torque: 25 inch pounds.

Sealed limit switches: Factory adjusted,
controls maximum travel.

Linkage adjustment on lever arm—5 holes:

Adjusts travel: 1-3/16 in. (30 mm); 1-11/16 in. (43 mm); 2 in. (51 mm); 2-1/4 in. (57 mm) approximately.

Dimensions: See reverse side.

Net Weight: 5 lb. (2.27 kg)

Features

The AT67207 can enhance features of our SELECTRONIC® Micro-Controller units by allowing features such as:

- Warm-up RPM Set point.
- Minimum RPM Set point.
- Maximum RPM Set point.
- Preset Operating RPM Set point.
- Auto Throttling To Match Flows (as needed in flood control applications).
- Maintaining System Pressure (as needed in booster station application).
- Adjustable Rate Of Change In RPM (allowing fine tuning of overall system).

For more information, recommendations and quotations contact our engineering dept.

Warranty

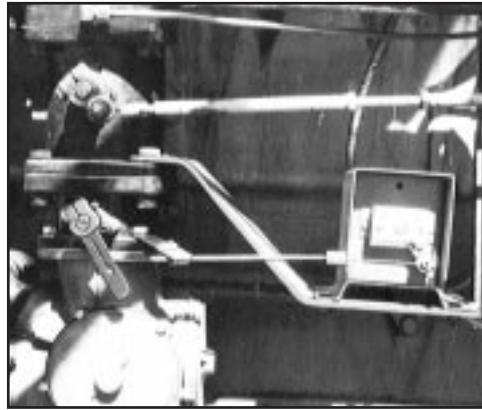
A two-year limited warranty on materials and workmanship is given with this Murphy product. Details are available on request and are packed with each unit.

Operation

A Murphy SWICHGAGE®* constantly monitors pressure, level, temperature or load. Adjustable high and low contacts on SWICHGAGE® are set slightly above and below desired operating point. When demand changes, pointer touches appropriate high or low contact and signals speed change.

AT67207 controller responds only so long as contact is made. The controller stops immediately when contacts separate. Slow, smooth action prevents “hunting” or “surging” on normal applications.

*Mercury tube or snap-action switches are not suitable for this type control. For more information, recommendations and quotations contact our engineering dept.



How to Order

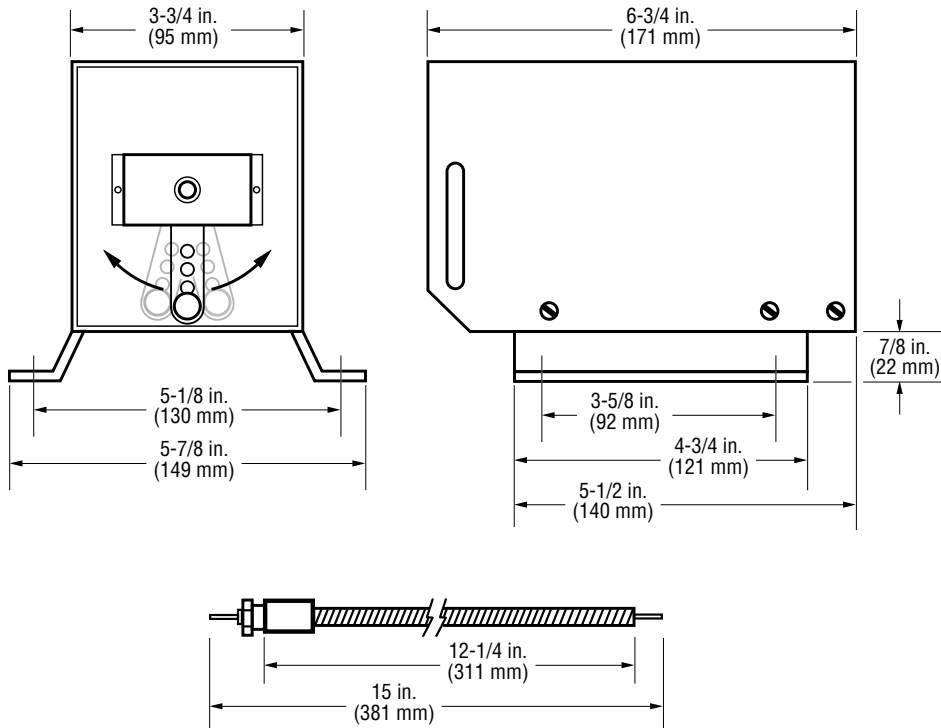
AT67207 -

Voltage

12 = 12 VDC

24 = 24 VDC

Dimensions



Typical Wiring

