

Flasher Alarm Light and MINI-SIREN® by Murphy SELECTRONIC®

TL-8904B
Revised 05-03
Catalog Section 30
(00-02-0128)

FWMurphy



TL7 and SAH Series

- High Visibility Flashing Red Alarm Light or Audible Alarm
- 12 VDC or 24 VDC
- Panel Mount
- All Electronic

Description

The Model TL7 is a panel mounted flashing alarm light and audible alarm driver. The TL7 helps protect the Murphy SWICHGAGE® contacts from the very high inrush current of the lamp. It is available in 12 or 24 VDC with either a positive or negative ground. The SAH MINI-SIREN® provides an audible alarm when fault conditions are detected by a SWICHGAGE®. It can be panel mounted and operates on 6–28 VDC.

Application

The TL7 Flasher/Light is used as a warning device on various types of industrial and mobile equipment. The MINI-SIREN® will give an audible warning when the TL7 operates, or it can be wired directly to the SWICHGAGE® contacts for audible only alarm.

Features: TL7

- Red polycarbonate lens
- 12 VDC or 24 VDC positive or negative ground (specify)
- Tin plated male push-on type terminals
- SAH terminal designed to drive piezo electric audible alarm rated 20 mA @ 28 VDC such as Murphy SAH Series MINI-SIREN®

Specifications: TL7

Power Requirements

- Voltage: 12 or 24 VDC, positive or negative ground (specify voltage and ground).
- Current:
 - Sensor switch < 60 mA
 - 12 VDC, 360 mA with lamp on
 - 24 VDC, 200 mA with lamp on
 - 12 or 24VDC, 5 mA standby, lamp off

Outputs (see replacement lamps)

Lamp output: 120 mA @ 14.4 VDC
SAH terminal: 20 mA @ 28 VDC resistive

Enclosure

Red polycarbonate lens with aluminum retaining nut.

Temperature Range

-40°F to 165°F (-40°C to 74°C).

Terminal Connections

Four tin plated 1/32 x 1/4 inch (0.8 x 6 mm) male push-on type terminal.

Mounting Hole: 1-1/8 in. (29 mm) diameter.

Maximum Panel Thickness: 1/4 in. (6 mm).

Specifications: SAH

Type: PIEZO electric transducer.

Operating Voltage: 6–28 VDC.

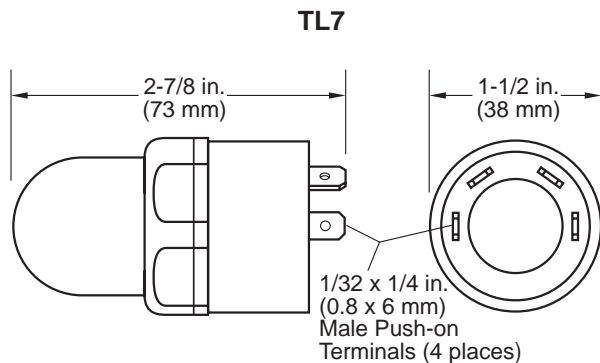
Output Level: at 28 VDC 1 meter, 90± 5 dB.

Current Drain: at 28 VDC, 20 mA MAX.

Mounting Hole: 1-1/8 in. (29 mm) diameter.

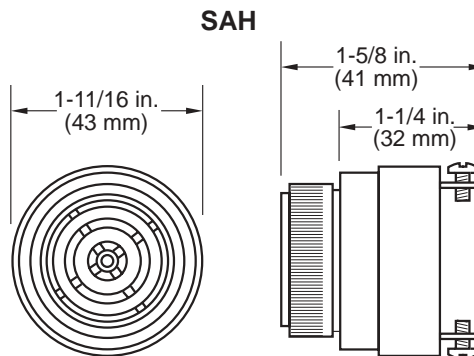
Maximum Panel Thickness: 1/8 in. (3 mm).

Dimensions



Mounting Hole: 1-1/8 in. (29 mm) diameter

Maximum Panel Thickness: 1/4 in. (6 mm)



Mounting Hole: 1-1/8 in. (29 mm) diameter

Maximum Panel Thickness: 1/8 in. (3 mm)

How to Order

When ordering a TL7, voltage and polarity must be specified (see the diagram below):

TL7-12 N

Polarity

N = Negative Ground
P = Positive Ground

Voltage

12 = 12 VDC
24 = 24 VDC

Replacement Lamps for TL7

Voltage	Lamps
12 VDC	00-00-0029 #1815 or #53 type
24 VDC	00-00-0924 #1829 or #1820 type

To order the SAH MINI-SIREN® specify **SAH**.

Warranty

A two-year warranty on materials and workmanship is given with this FWMurphy product. A copy of the warranty may be viewed or printed by going to www.fwmurphy.com/warranty.asp.

Typical Wiring Diagram

WARNING

Before beginning installation of this Murphy product:

- ✓ Disconnect ALL electrical power to the machine.
- ✓ Make sure the machine CANNOT operate during installation.
- ✓ Follow all safety warnings of the machine manufacturer.
- ✓ Read and follow all installation instructions.

Below is a typical circuit diagram for the TL7 Flasher/Light and SAH MINI-SIREN®. When the switch closes the lamp will flash and the optional MINI-SIREN® will pulse at the same frequency.

NOTE: typical wiring with negative ground. Although designed to be used with Murphy SWICHGAGE®, the TL7 can be used with any dry contact type switch.

