

SWICHGAGE® Panel Assembly for DEUTZ 413, 511, 912, and 913 Series



WDU-0277

- OEM Replacement Panel
- Complete Kit
- Weatherproof
- Full Features

Description

The WDU-0277 SWICHGAGE® instrument panel is suitable for all open frame DEUTZ 413, 511, 912 and 913 series engines.

This OEM panel is ideal for all power unit applications such as pumps, generators and compressors.

SWICHGAGE® instruments are provided for engine oil pressure and cylinder head temperature. Also included is a complete array of components for easy installation.

The panel mounts onto existing pads on the flywheel housing and can face to either side of the engine. Shockmounts in the mounting bracket provide protection from shock and normal vibration for the panel and its components.

Specifications

- Weatherproof panel with hinged and gasketed rear access door.
- Suspension shock mounted bracket
- Low Lube Oil pressure SWICHGAGE® with 2 ft. (0.61 m) oil pressure line and banjo fitting.
- High Cylinder Head temperature SWICHGAGE® with 4 ft. (1.2 m) capillary tubing.
- Magnetic Switch/relay for automatic shutdown
- Ammeter
- Hourmeter
- Off-Ign-Heat-Start Key switch
- Alarm lights for Alternator Failure and Preheat
- Fuel return check valve (not shown)

- Plug-in wire connector to match DEUTZ wire harness (not shown)
- Provision for 3 additional SWICHGAGE® or MURPHYGAGE® instruments.

How to Order

To order the WDU-0277, specify model and voltage. Example: **WDU-0277-12**

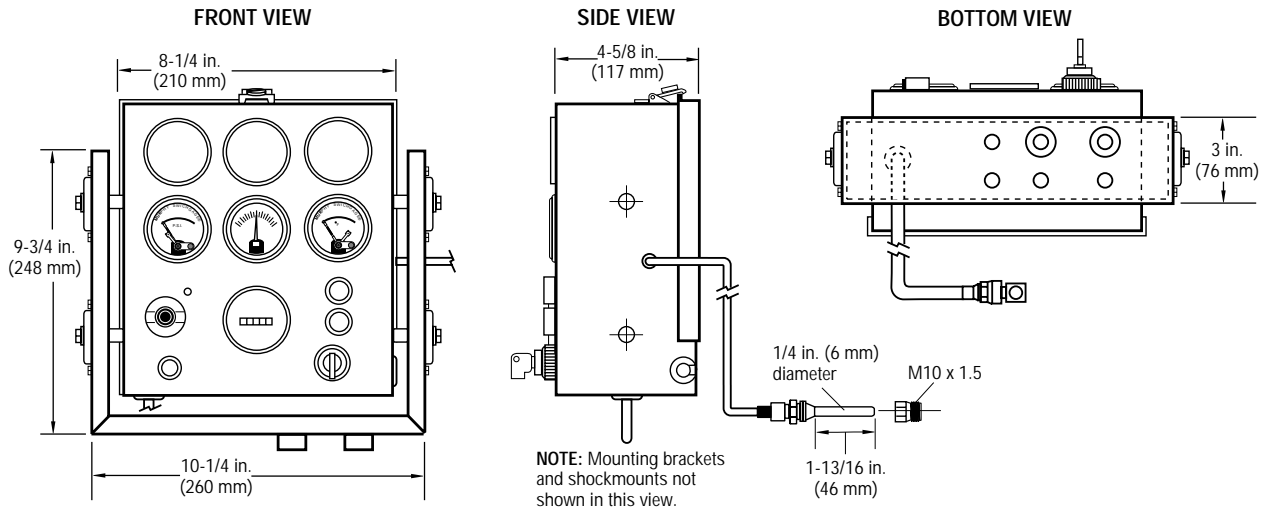
WDU-0277 –

<i>Voltage</i>
12 = 12 VDC
24 = 24 VDC

Warranty

A two-year limited warranty on materials and workmanship is given with this Murphy product. Details are available on request and are packed with each unit.

Dimensions



CAUTION: "OIL FILLED INSTRUMENTS CONTAIN SILICON OIL" Exposure may be hazardous under certain circumstances.

"DO NOT CUT CAPILLARY" It contains chemicals or solvents which may be hazardous under certain circumstances.

"Keep out of Eyes, Mouth and Do Not expose to Skin". Keep out of reach of children. Flush thoroughly with water and seek medical attention.
If swallowed, call physician immediately. MSDS Sheets are available by calling: 918/627-3550.

CAUTION: Certain dangers to human safety and to equipment may occur if some equipment is stopped without pre-warning. It is recommended that monitored functions be limited to alarm-only or to alarm before shutdown.