

# Time Switches

TMR-96095B  
Revised 08-02  
Catalog Section 20  
(00-02-0073)

**FWMurphy**

## Models 5T, 15T, 12T and 24T

## 12 or 24 Hour and 5 or 15 Minute



### ■ Two Versions Available:

1. Hour Switch for Setting Run Time and Shutdown of Equipment
2. Minute Switch for a Short Interruption of SWICHGAGE® Circuits on Test or Start-up

- Spring Wound, No Electric Power Required
- Precision Movement Can Be Set to Zero at Any Time
- Built-in Stop Prevents Overwinding

## Description

Murphy Time Switches can automatically start or stop engines or electrical motors after a pre-determined time. These time switches can be wired for an open or closed circuit when time expires. They require no electrical current to operate and have an SPDT contact arrangement. These switches feature a precision movement that gives years of reliable service. A built-in stop prevents overwinding.

The **12T** (12 hour) and **24T** (24 hour) time switches are enclosed in a NEMA 4 weather-proof enclosure. A hinged, gasketed cover and 1/2 NPT conduit connection allow for a dust-tight installation. The enclosure includes a clasp and eye for padlock to prevent unauthorized operation. Instructions for popular engine applications are secured inside of the lid.

The **5T** (5 minute) and **15T** (15 minute) timers mount directly in control panels for short range timing with manual reset. These switches are perfect for disconnecting shutdown circuits while equipment is being started.

Models are available in explosion-proof enclosures, listed by CSA for Class I, Division 1 locations.



## Applications

Murphy Time Switches are designed for use in the oil field, irrigation systems or anywhere equipment must operate or be controlled for a predetermined time. Mounted on a post or in a panel away from vibration and shock, these time switches give accurate, long term service.

## Specifications

### Range

- 12T: 0-12 hours in 15 minute intervals.
- 24T: 0-24 hours in 30 minute intervals.
- 5T: 0-5 minutes.
- 15T: 0-15 minutes.

**Contact (all models):** SPDT, rated 5 A @ 480 VAC; 10 A @ 250 VAC; 15 A @ 48 VDC.

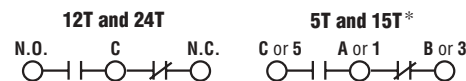
### Shipping Weight

- 12T, 24T: 4 lbs. 12 oz. (2.15 kg).
- 5T and 15T: 6 oz. (11.66 g).

### Shipping Dimensions

- 12T, 24T: 9-1/4 x 8-1/4 x 5-1/2 in. (235 x 210 x 140 mm).
- 5T and 15T: 3 x 2-3/4 x 2-3/4 in. (76 x 70 x 70 mm).

## Electrical



\*Wire terminals will vary. Models with screw terminals will have alpha letters. Models with 1/4 inch (6 mm) blade terminals will have numbers.

## How to Order

To order time switches, specify as follows:

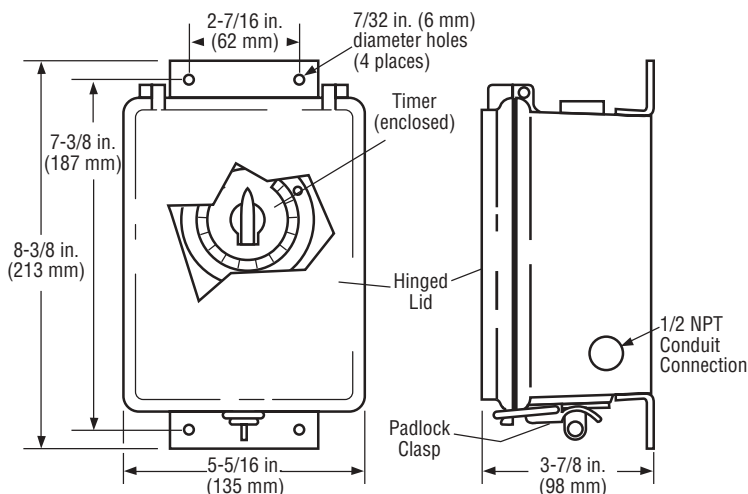
		<b>24T - EX</b>
<b>Base Model</b>		
<b>5T</b>	<b>24T</b>	
<b>15T</b>	<b>5TWP (weatherproof)</b>	
<b>12T</b>	<b>15TWP (weatherproof)</b>	
<b>Options (may not apply to all models)</b>		
<b>EX</b> = Explosion-proof; Class I, Div. 1		
<b>EL</b> = Explosion-proof, less case		
<b>LC</b> = Less case		

## Warranty

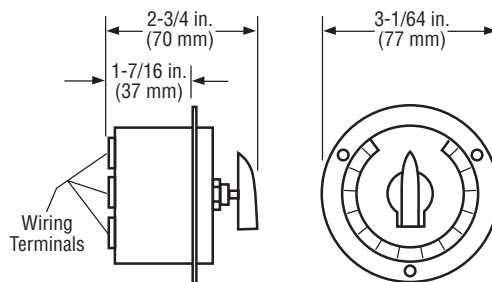
A one-year warranty on materials and workmanship is given with Murphy Time Switches. Details are available on request and are packed with each unit.

# Dimensions

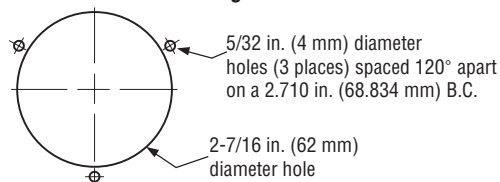
## 12T and 24T



## 5T and 15T



## Mounting Hole



# Typical Wiring Diagrams

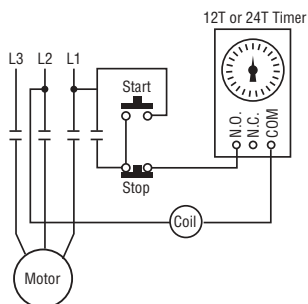


## WARNING

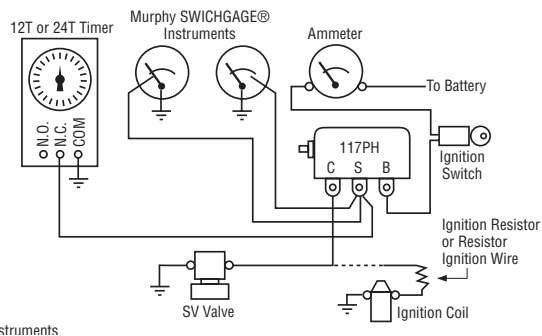
Before beginning installation of this Murphy product:

- ✓ Disconnect all electrical power to the machine.
- ✓ Make sure the machine cannot operate during installation.
- ✓ Follow all safety warnings of the machine manufacturer.
- ✓ Read and follow all installation instructions.

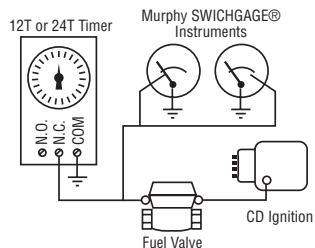
## Electric Motor



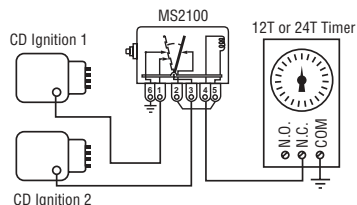
## Diesel Engine



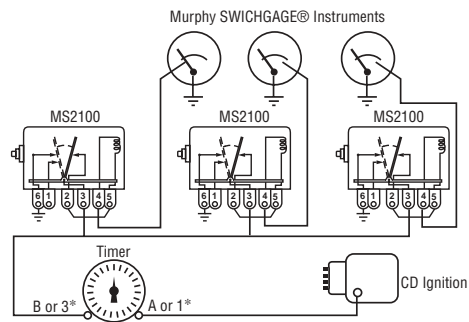
## Fuel Valve and CD Ignition



## Dual CD Ignition



## SWICHGAGE® Circuit Disconnect (5T and 15T)



\*Refer to Electrical diagrams on reverse side.