

Level SWICHGAGE® Series For Engine Liquids



L150/ EL150K1 Series

- Monitors Level of Coolant, Lube Oil, Diesel Fuel And Hydraulic Fluid.
- Indicating Gauge
- Low Limit Switch
- Float Operated
- Explosion-Proof Model Is Available.



** Products covered by this bulletin comply with EMC Council directive 89/336/EEC regarding electromagnetic compatibility except as noted.

EL150EX Models are CSA Listed for Class I, Division 1, Group C & D Hazardous Locations.

Description

The L150 Series Level SWICHGAGE® is a combination liquid level gauge and low limit switch; each unit includes (1) a chamber with pivotal float, (2) an indicating dial with pointer, and (3) a low level contact. When properly installed and maintained, the float operates the pointer which, in turn, both indicates level during normal operation, and closes a switching circuit if the level falls to the low-limit set point.

Applications

The primary use of the L150/EL150K1 is for engine cooling systems, surge or expansion tanks, condenser radiator or vapor phase systems, pressurized or atmospheric systems. The Level SWICHGAGE® can also be used to monitor lube oil, hydraulic fluid or diesel fuel reservoirs and activates alarms and/or shut-down at a predetermined minimum level.

These instruments are built for low pressure systems with a maximum of 25 psi (172 kPa) [1.72 bar].

L150 Specifications

Case: Die cast aluminum, poly-urethane coated; approximate dimensions; 4-1/2 x 4-3/4 x 2-3/4 in. (114 x 121 x 70 mm).

Mounting Holes: (2) 9/32 in. (7 mm) diameter at 4-1/2 in. (114 mm) on center.

Float: Brass.

Lens: Polycarbonate.

O-rings: Saturated Nitrile, are suitable for coolant or hydrocarbons. Maximum temperature 250°F (121°C).

Gasket: Neo-cork.

Vent Tube: 1/4 x 5 in. (6 x 127 mm) copper cane with 1/4 NPT x 1/4 in. (6 mm) tube fitting.

Contact Rating: 2 A @ 30 VAC/DC.

Wire: (1) 16 AWG x 26 in. (1.5 mm² x 660 mm) with terminals.

Shipping Weight: 29 oz. (0.82 kg.).

Shipping Dimensions: 5-1/4 x 5-1/4 x 5-1/2 in. (133 x 133 x 140 mm).

EL150K1 Specifications

Case: Die cast aluminum, poly-urethane coated; approximate dimensions; 5 x 4-3/4 x 2-3/4 in. (127 x 121 x 70 mm).

Mounting Holes: (2) 9/32 in. (7 mm) diameter at 4-1/2 in. (114 mm) on center.

Float: Brass.

Lens: Polycarbonate.

O-rings: Saturated Nitrile, are suitable for coolant or hydrocarbons. Maximum temperature 250°F (121°C).

Gasket: Neo-cork.

Vent Tube: 1/4 x 5 in. (6 x 127 mm) copper cane with 1/4 NPT x 1/4 in. (6 mm) tube fitting.

Snap-Switch: SPDT rated 10 A @ 125 VAC; 0.5 A @ 125 VDC; 10 A 30 VDC.

Wire: (3) 18 AWG x 14 in. (1 mm² x 356 mm).

Shipping Weight: 42 oz. (1.2 kg.).

Shipping Dimensions: 5-1/4 x 5-1/4 x 5-1/2 in. (133 x 133 x 140 mm).

EL150EX Specifications

Case: Sand cast aluminum, painted; approximate dimensions; 6-1/2 x 5-3/4 x 5-1/4 in. (165 x 146 x 133 mm).

Mounting Holes: (2) 5/16 in. (8 mm) diameter at 5-1/2 in. (140 mm) on center.

Float: 304 Stainless steel.

Lens: Tempered glass.

O-rings: Saturated Nitrile, are suitable for coolant or hydrocarbons. Maximum temperature 250°F (121°C).

Gasket: Neo-cork.

Vent Tube: 1/4 x 5 in. (6 x 127 mm) copper cane with 1/4 NPT x 1/4 in. (6 mm) tube fitting and 1/2 NPT to 1/4 NPT reducer fitting.

Snap-Switch: SPDT rated 10 A @ 125 VAC; 0.5 A @ 125 VDC; 10 A 30 VDC.

Wire: Wired to terminal block.

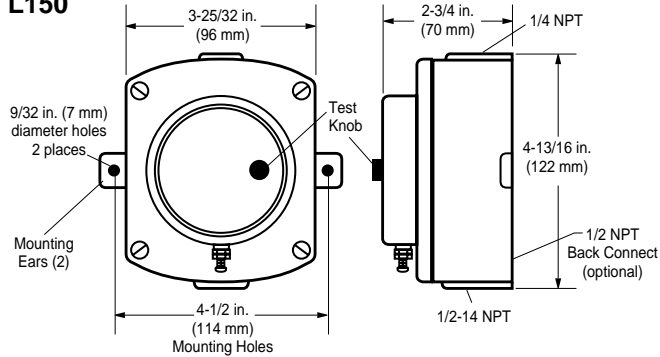
Laboratory Approvals: CSA Listed for Hazardous Locations Class I, Division 1, Groups C & D.

Shipping Weight: 5 lbs. (2.26 kg.).

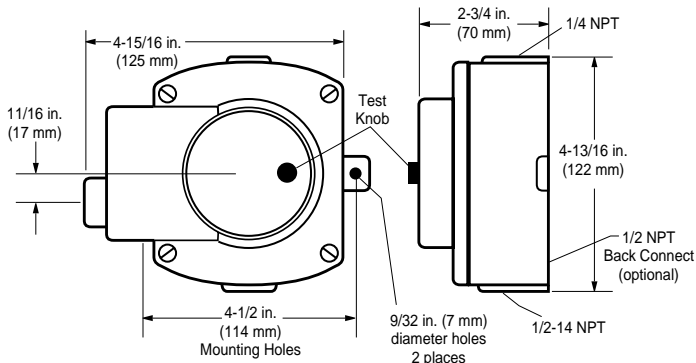
Shipping Dimensions: 6-1/2 x 6-3/4 x 6-3/8 in. (165 x 171 x 162 mm).

Dimensions

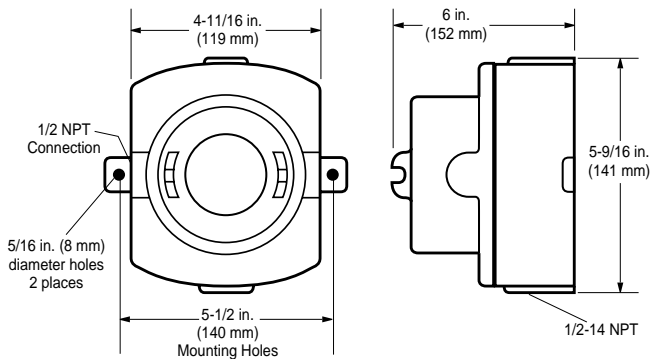
L150



EL150K1



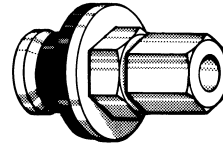
EL150EX



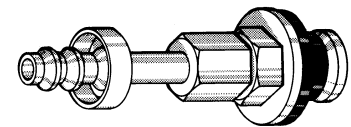
Radiator Fittings

Murphy PS, PS Barbed and PS-D fittings allow the installation of the L150/EL150K1 to the radiator when a fitting is not available.

- **15-00-0107 (PS):** thin wall, 1/4 in. (6 mm) tube fitting.
- **15-01-0167 (PS-Barbed):** thin wall, 1/4 in. (6 mm) tubing or hose.
- **15-01-0202 (PS-D):** for diesel or oil, thick wall (to 1/4 in. [6 mm]), accepts 1/2 in. (13 mm) I.D. hose or 1/4 in. (6 mm) O.D. tubing.



15-00-0107 (PS)



15-01-0167 (PS Barbed)

Repair Kits

L150

- 15-00-0138 All parts except case and body
- 15-00-0101 Case/body assembly

EL150K1

- 15-00-0139 All parts except case and body
- 15-00-0101 Case/body assembly
- 15-00-0100 Lens/switch assembly

EL150EX

- 15-00-0110 Cover and float assembly
- 15-00-0108 Lid assembly
- 15-00-0109 Switch/terminal assembly

Accessories

Specify

Description

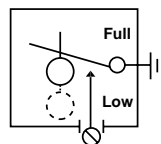
- 15-00-0107 Radiator fitting (PS)
- 15-01-0202 Radiator fitting (PS-D)
- 15-01-0167 Radiator fitting (PS Barbed)

Standard Electrical Diagrams

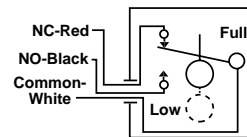


WARNING: This typical wiring diagram is shown for clarity only. It is not intended for use as installation instructions.

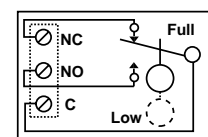
L150



EL150K1



EL150EX



Warranty

A two-year limited warranty on materials and workmanship is given with this Murphy product. Details are available on request and are packed with each unit.

Fittings Kits Order Separately

- 15010235 FM3
- 15010236 FM4
- 15010237 FM5
- 15010238 FM12
- 15000349 CECO