

# B-Series MURPHYGAGE®



## Pressure, Vacuum and Temperature

- 2 in. (51 mm) Dial Gages
- Heavy-duty Rated
- Environment Sealed\*
- Pressure Models Up to 400 psi (2.76 MPa) [27.6 bar]
- Temperature Models Up to 440°F (220°C)



### Description

The B-Series MURPHYGAGE® is a high quality, diaphragm-actuated indicating gage. Built by Murphy with the same heavy-duty design as the standard 20 series and 25 series SWICHGAGE®, the B-gage is more compact and is the optimum instrument for gage-only applications. It has a high impact polycarbonate lens, sturdy steel case, and a polished, low-profile stainless steel bezel. Accuracy and protection from moderate over-pressure/over-temperature are assured by a unique, unitized diaphragm chamber, superior quality materials, and the design of the gage movement.

#### Pressure MURPHYGAGE®

Pressure changes at the diaphragm convert to accurate mechanical movements that are indicated on an easy to read analog dial. A pulsation dampener in the pressure port helps eliminate pointer flutter; it can be removed for cleaning to maintain the MURPHYGAGE® response and accuracy.

#### Vacuum MURPHYGAGE®

Operating like the pressure MURPHYGAGE®, the vacuum instrument is available in 0 to 20 or 0 to 30 in. Hg. (0 to -68 or 0 to -102 kPa) vacuum.

#### Temperature MURPHYGAGE®

The temperature MURPHYGAGE® operates on the same mechanical principle as the pressure instrument. As temperature rises, the fluid in the sensing bulb vaporizes to apply pressure on the diaphragm; the movement translates this vapor pressure to a calibrated reading of temperature on the dial. The standard capillary is copper with a PVC armor. Optional armor covering is galvanized steel or 316 stainless steel (specify). Optional bulb types, adaptor nuts and thermowells are available.†

### Applications

Industrial engines and equipment in Oil Field, Marine, Irrigation, Construction and Trucking industries. Monitoring Engine Coolant, Crankcase Oil, Transmission Oil.

### Specifications

**Dial:** White on black; U.S.A. standard scale is dual scale; others available (see How to Order).

#### Gage Accuracy:

##### Pressure/Vacuum (% of Full Scale):

RANGE	LOWER 1/4	MIDDLE 1/2	UPPER 1/4
≤300 psi (24 Bar)	±3%	±2%	±3%
400 psi (28 Bar)	±3%	±3%	±5%

**Temperature:** See chart on reverse side.

#### Temperature Range:

##### Pressure/Vacuum:

Ambient: -40°F (-40°C) thru 150°F (66°C).

Process: -40°F (-40°C) thru 250°F (121°C).

**Temperature:** See chart on reverse side.

**Maximum Panel Thickness:** 1/4 in. (6 mm).

**Port:** Brass.

**Case:** Plated steel; mounting clamp included (except for direct mount models).

**Bezel:** Polished stainless steel, standard; optional bezels are available (see How to Order).

**Pointer:** White (black dial); black (white dial).

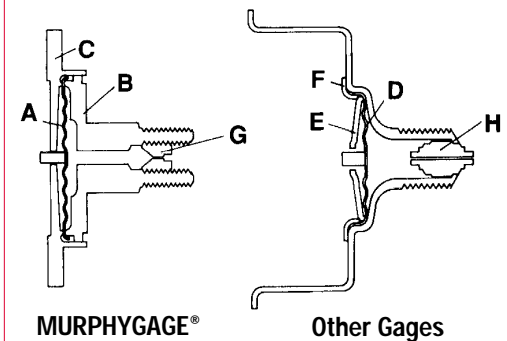
**Lens:** Polycarbonate, high-impact.

**Sensing Element:** Beryllium copper diaphragm.

### Comparison of a MURPHYGAGE® to Most Other Gages

The basic difference between the MURPHYGAGE® and most other gages is the internal design. The MURPHYGAGE® does not rely on the gage case to serve as part of the sensing chamber. The diaphragm (A) which must expand and contract consistently with changing pressures and temperatures, is held firmly in place by the back plate (B) and the mounting plate (C). In most other gages the diaphragm (D) and an expansion retarding plate (E) are soldered directly into the case port and held in place by a locator ring (F). Should the case receive any damage

in this area the diaphragm operation could be affected. However, in the MURPHYGAGE®, the diaphragm is protected and securely locked in position. Another feature of the MURPHYGAGE® is the removable pulsation dampener (pressure instruments only) (G) which provides for periodic cleaning when being used with liquids which might cause clogging. Other gages are usually equipped with a non-removable dampener (H).



### Warranty

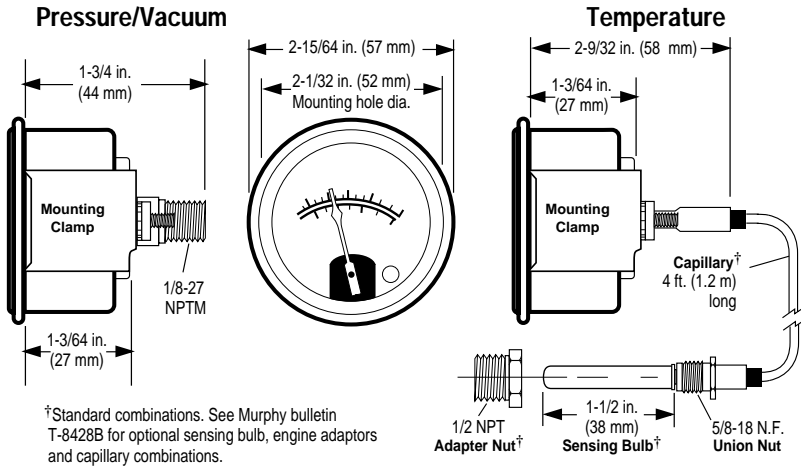
A two-year limited warranty on materials and workmanship is given with this Murphy product. Details are available on request and are packed with each unit.

\* All pressure gages, above 30 psi (200 kPa) [20.0 bar] and all temperature gages, are environmentally sealed and filled with inert gas. This seal protects the mechanism and eliminates "clouding" of the lens from moisture condensation.

\*\* Products covered by this bulletin comply with EMC Council directive 89/336/EEC regarding electromagnetic compatibility except as noted.

† For optional temperature capillary lengths, engine adaptors, sensing bulbs and range combinations, see Murphy bulletin T-8428B.

## Standard Dimensions



## Temperature Accuracy/Range Chart

Celsius measurements are shown in parenthesis.

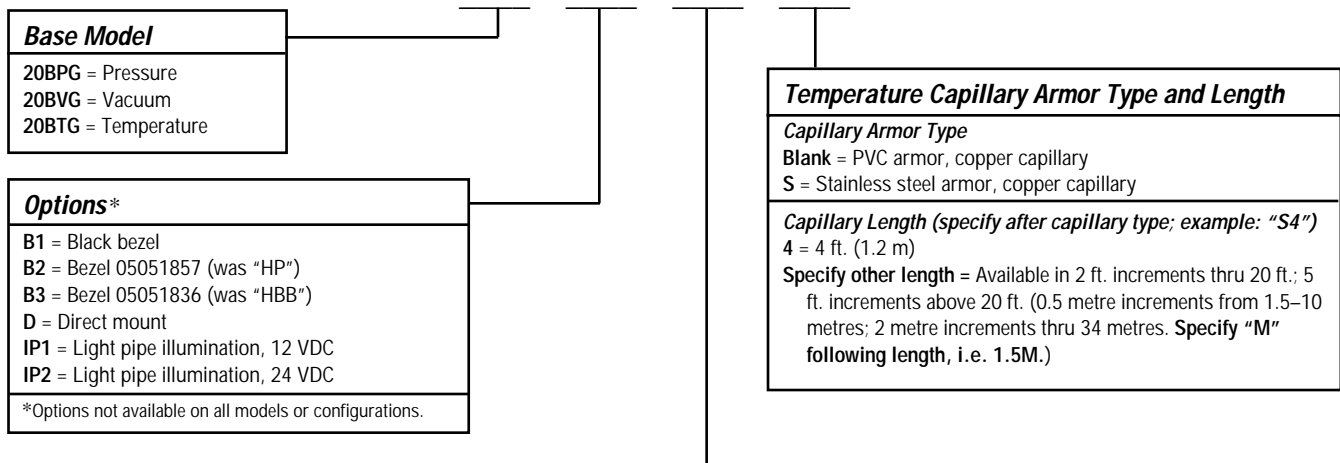
RANGE	Lower 1/3 Scale	Middle 1/3	Upper 1/3
32-120 (0-49)	± 12° (± 6)	± 5° (± 2.4°)	± 6° (± 3°)
32-160 (0-71)	± 20° (± 10°)	± 8° (± 4.4°)	± 7° (± 4°)
130-220 (54-104)	± 6°F (± 3°)	± 3° (± 1.6°)	± 4° (± 2°)
130-250 (54-121)	± 9° (± 5°)	± 5° (± 2.4°)	± 4° (± 2°)
140-300 (60-149)	± 10° (± 5.2°)	± 6° (± 3°)	± 5° (± 2.4°)
160-320 (71-160)	± 10° (± 5.2°)	± 5° (± 2.4°)	± 5° (± 2.4°)
180-350 (82-177)	± 12° (± 6°)	± 5° (± 2.4°)	± 5° (± 2.4°)
300-440 (149-227)	± 9° (± 5°)	± 5° (± 2.4°)	± 4° (± 2°)

### MAXIMUM PROCESS TEMPERATURE

RANGE	MAXIMUM PROCESS TEMPERATURE
≤250° (120°)	120% OF FULL SCALE
300° (140°)	350° (198°)
≥320° (160°)	120% OF FULL SCALE

## How to Order

To order, use the diagram below. **NOTE:** List options in ascending alphabetical order (A-Z). Example: **20BTG-IP1-250-4**



Range <sup>††</sup>					
Pressure (20BPG) Dual scale (psi/kPa)		Pressure (20BPG) Single scale (bar)	Vacuum (20BVG) Dual scale (in. Hg/kPa)	Temperature (20BTG) Dual scale (°F/°C)	Temperature (20BTG) Single scale (°C)
psi	kPa/MPa		in. Hg	°F	°C
15 = 0-15	0-103	1B = 0-1 bar	20 = 0 to 20	120 = 32-120	0-49
30 = 0-30	0-207	2B = 0-2 bar	0 to -68	160 = 32-160	0-71
50 = 0-50	0-345	3.5B = 0-3.5 bar	30 = 0 to 30	220 = 130-220	54-104
75 = 0-75	0-517	5B = 0-5 bar	0 to -102	250 = 130-250	60-121
100 = 0-100	0-689	7B = 0-7 bar		300 = 140-300	60-149
150 = 0-150	0-1.03	10B = 0-10 bar		320 = 160-320	71-160
200 = 0-200	0-1.38	14B = 0-14 bar		350 = 180-350	71-160
300 = 0-300	0-2.07	20B = 0-20 bar		440 = 300-440	149-227
400 = 0-400	0-2.76	28B = 0-28 bar			

<sup>††</sup>Consult factory for availability of dials other than psi/kPa or °F/°C. Select scale so your normal operating value is in the middle half of the scale.