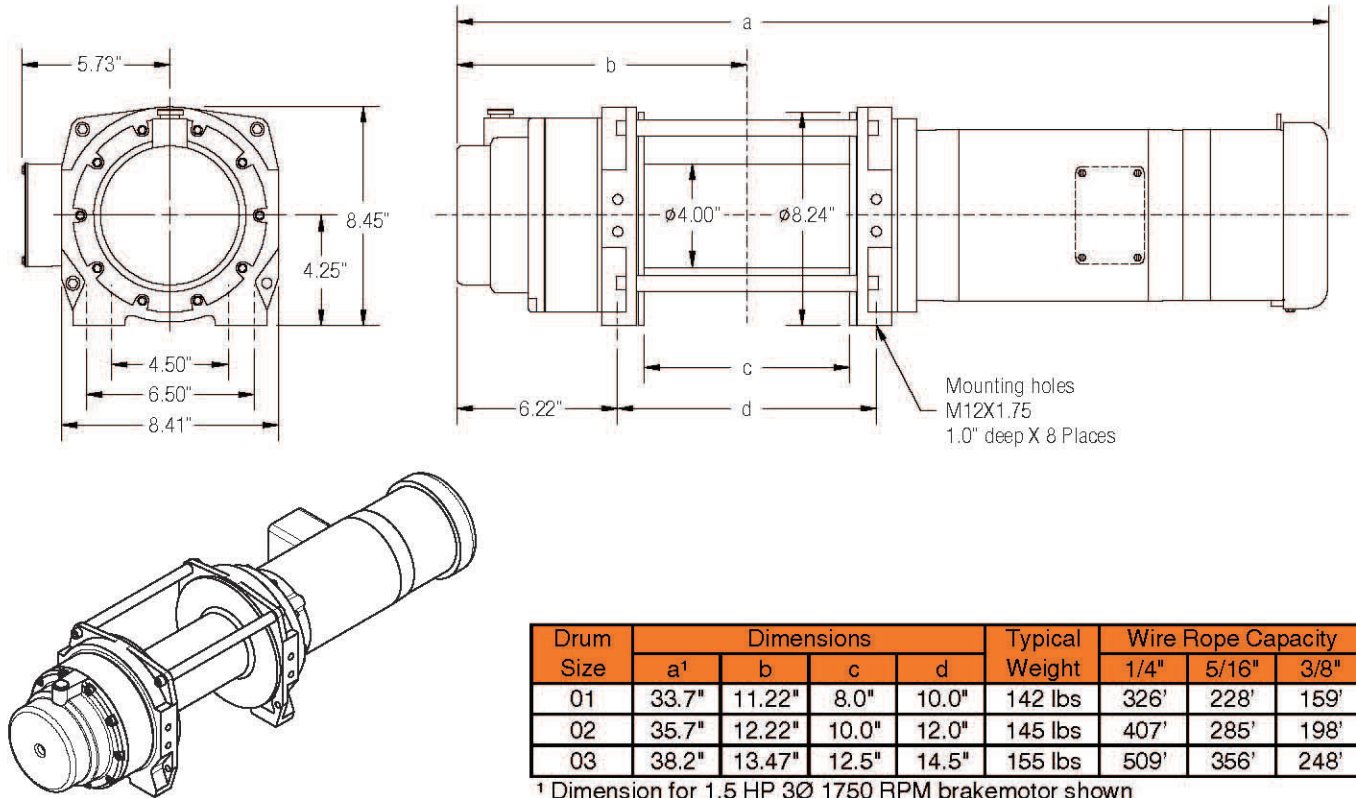


DIMENSIONAL DATA



PERFORMANCE

Model	Motor		Power Input		Gear Ratio	Calculated Performance					
						First Layer		Mean Drum		Full Drum	
						LBS	FPM	LBS	FPM	LBS	FPM
HG500	1.0	1700	115/230	1Ø	36:1	500	55.7	375	72.2	305	88.7
			230/460	3Ø							
HG750	1.5	1700	230	1Ø	36:1	750	55.7	562	72.2	457	88.7
			230/460	3Ø							
HG1000	2.0	1700	230/460	3Ø	36:1	1,000	55.7	749	72.2	610	88.7
HG1600	1.0	3300	115/230	1Ø	261:1	1,600	15.1	1,242	19.6	1,011	24.1
			230/460	3Ø							
HG2400	1.5	3300	115/230	1Ø	261:1	2,400	15.1	1,863	19.6	1,516	24.1
			230/460	3Ø							
HG3300	2.0	3300	230	1Ø	261:1	3,300	15.1	2,484	19.6	2,021	24.1
			230/460	3Ø							
HG3700	1.0	1725	115/230	1Ø	261:1	3,700	7.7	2,815	10.0	2,291	12.2
			230/460	3Ø							
HG5600	1.5	1725	115/230	1Ø	261:1	5,600	7.7	4,223	10.0	3,436	12.2
			230/460	3Ø							

Performance based on intermittent duty cycles.