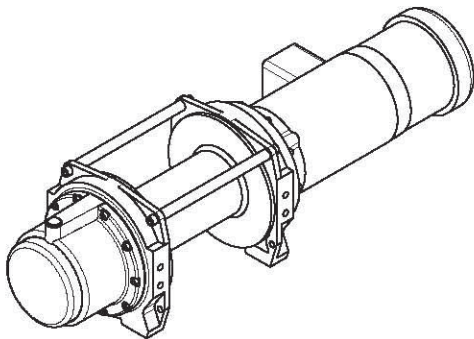
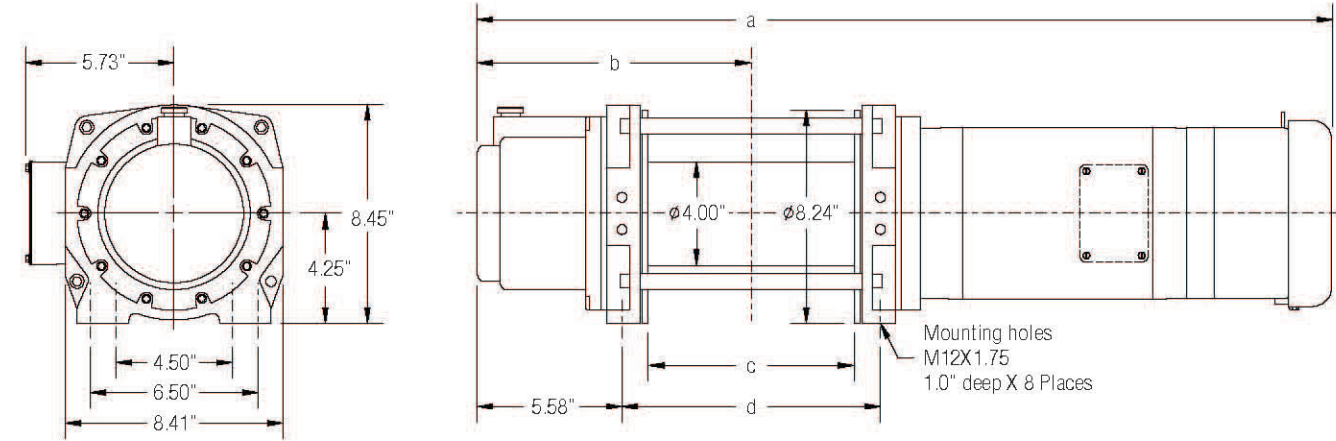


DIMENSIONAL DATA



Drum Size	Dimensions				Typical Weight	Wire Rope Capacity		
	a ¹	b	c	d		1/4"	5/16"	3/8"
01	33.0"	10.57"	8.0"	10.0"	132 lbs	326'	228'	159'
02	35.0"	11.57"	10.0"	12.0"	135 lbs	407'	285'	198'
03	37.5"	12.82"	12.5"	14.5"	145 lbs	509'	356'	248'

¹ Dimension for 1.5 HP 3Ø 1750 RPM brakemotor shown

PERFORMANCE

Model	Motor		Power Input		Gear Ratio	Calculated Performance					
						First Layer		Mean Drum		Full Drum	
						LBS	FPM	LBS	FPM	LBS	FPM
HF375	1.0	1700	115/230	1Ø	27:1	375	74.2	281	96.3	229	118.3
			230/460	3Ø							
HF575	1.5	1700	230	1Ø	27:1	575	74.2	421	96.3	343	118.3
			230/460	3Ø							
HF775	2.0	1700	230/460	3Ø	27:1	775	74.2	562	96.3	457	118.3
HF1000	1.0	3300	115/230	1Ø	164:1	1,000	24.1	780	31.2	635	38.4
			230/460	3Ø							
HF1500	1.5	3300	115/230	1Ø	164:1	1,500	24.1	1,171	31.2	953	38.4
			230/460	3Ø							
HF2100	2.0	3300	230	1Ø	164:1	2,100	24.1	1,561	31.2	1,270	38.4
			230/460	3Ø							
HF2300	1.0	1725	115/230	1Ø	164:1	2,300	12.2	1,769	15.9	1,439	19.5
			230/460	3Ø							
HF3500	1.5	1725	115/230	1Ø	164:1	3,500	12.2	2,653	15.9	2,159	19.5
			230/460	3Ø							
HF4700	2.0	1725	230	1Ø	164:1	4,700	12.2	3,538	15.9	2,879	19.5
			230/460	3Ø							

Performance based on intermittent duty cycles.