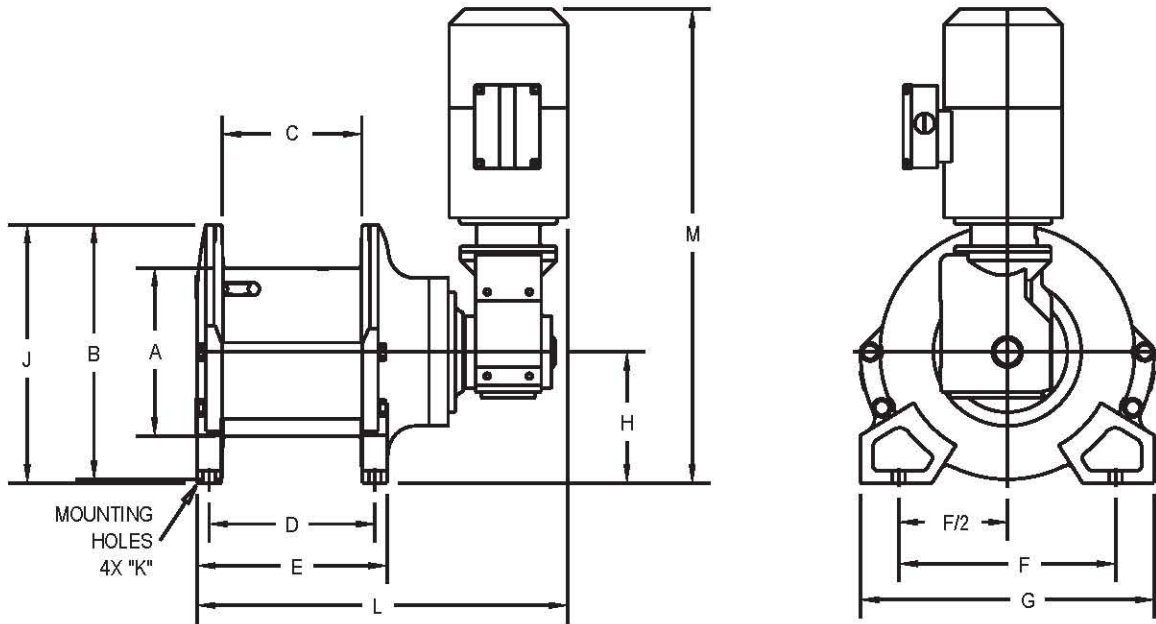


CERTO SERIES

AC ELECTRIC HOISTS

CAPACITIES TO 9400 LBS.

DIMENSIONAL/PERFORMANCE DATA



Model	Drum Size	Motor HP	Typical Weight	Line Pull • Line Speed (Calculated)		
				First Layer	Mean Drum	Full Drum
HR1-1000	1	0.5	150 lbs	1000 lbs • 14 fpm	910 lbs • 16 fpm	840 lbs • 18 fpm
HR1-2100	1	1.0	155 lbs	2100 lbs • 14 fpm	1800 lbs • 16 fpm	1670 lbs • 18 fpm
HR2-2200	2	1.0	195 lbs	2200 lbs • 13 fpm	1900 lbs • 15 fpm	1700 lbs • 17 fpm
HR2-4200	2	2.0	230 lbs	4200 lbs • 14 fpm	3600 lbs • 16 fpm	3100 lbs • 19 fpm
HR3-3500	3	2.0	450 lbs	3500 lbs • 17 fpm	3000 lbs • 20 fpm	2700 lbs • 22 fpm
HR3-7200	3	3.0	490 lbs	7200 lbs • 12 fpm	6000 lbs • 15 fpm	5600 lbs • 16 fpm
HR4-4400	4	2.0	450 lbs	4400 lbs • 13 fpm	3700 lbs • 16 fpm	3500 lbs • 17 fpm
HR4-9400	4	5.0	500 lbs	9400 lbs • 16 fpm	7900 lbs • 19 fpm	7300 lbs • 21 fpm

Performance based on 230/460 3Ø 60 Hz input power; other voltages available

Drum Size	Dimensions												Wire Rope Capacity							
	A	B	C	D	E	F	G	H	J	K	L ¹	M ¹	3/16"	1/4"	5/16"	3/8"	7/16"	1/2"	9/16"	5/8"
1	7.0"	10.6"	6.0"	7.26"	8.4"	9.04"	12.3"	5.6"	10.9"	0.53"	18.3"	23.7"	715'	365'	250'	130'	/	/	/	/
2	7.5"	11.5"	7.1"	8.63"	10.0"	9.75"	13.6"	6.0"	11.8"	0.68"	20.7"	25.7"	/	540'	305'	210'	142'	/	/	/
3	11.0"	16.7"	9.1"	10.84"	12.6"	14.20"	19.2"	8.6"	16.9"	0.83"	24.6"	31.1"	/	/	/	/	410'	375'	275'	188'
4	11.0"	16.7"	9.1"	10.84"	12.6"	14.20"	19.2"	8.6"	16.9"	0.95"	24.9"	31.4"	/	/	/	/	410'	375'	275'	188'

¹ Max dimension shown