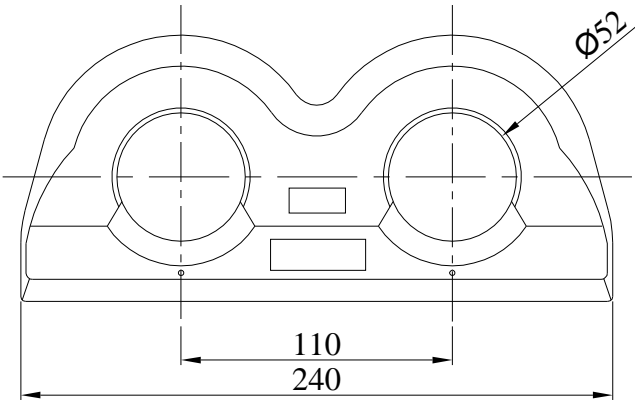
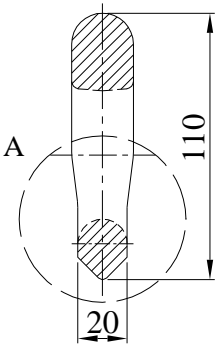
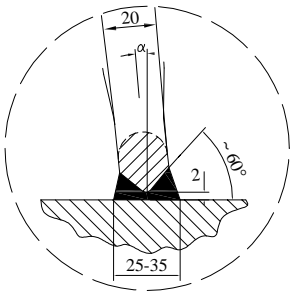


FIXED DOUBLE LIFTING EYE

PAM-A2-LIFT



Welding Recommendation



LOADS	SHEAR [KN]	TENSION [KN]
BREAKING LOAD	-	500
SWL LIFTING (5:1)	-	100
TOTAL WEIGHT	2.87 KG	
MATERIAL	FORGED STEEL	
FINISH	SHOP PRIMER	